

# Collection 2021

## *TECH BOOK*



**GT**



## CONTENTS

General Information .....	2-3
Cycling Prophet .....	4
Fury .....	2019-2021 ..... 6-7
Force 29.....	2019-2021 ..... 8-9
Force 27.5.....	2019-2021 ..... 10-11
Sensor 29.....	2019-2021 ..... 12-13
Zaskar (CARBON) .....	2018-2021 ..... 14
ZASKAR (ALLOY).....	2020-2021 ..... 15
Grade.....	2020-2021 ..... 16-17
ePantera.....	2020-2021 ..... 19
eFORCE.....	2020-2021 ..... 20-21
Power Performer.....	2020-2021 ..... 22
E-Grade.....	23
LockR Pivot .....	24
Special Brake Mounting Bolts.....	25
Core Tech .....	2021 ..... 26-27
BMX Tech .....	2021 ..... 28-35
Rear Derailleur Hangers .....	2021 ..... 36-38
Freehub Bodies .....	2021 ..... 39-41
Notes .....	42-44

# GENERAL INFORMATION

## About this Technology Support Manual

- The information in this Technology Support manual is intended for Authorized GT Dealers and Distributors. Information updates are performed periodically and the most recent date of an update is displayed in the lower left corner of each page. GT reserves the right to make product improvements and changes at any time without prior notice. No part of this Technology Support manual may be reproduced without prior written permission.
- The latest updated version of this Technology Support manual is available in PDF format at: [b2b.cyclingsportsgroup.com](http://b2b.cyclingsportsgroup.com).
- The exploded views, illustrations, and photographs are intended only as an aid to identification of available replacement parts. The frame specifications table are intended as a guide to frame and component compatibility, not the suitability of any particular part. Ultimately, questions about part compatibility should be answered by experienced bike mechanics or be directed to GT Technical Support before ordering.
- This Technology Support manual is NOT a complete or comprehensive service manual for the listed products. To obtain product manuals, recall information, service bulletins and/or installation instructions please visit: [b2b.cyclingsportsgroup.com](http://b2b.cyclingsportsgroup.com).
- Some service kits contain multiple parts, some contain a single part. If a service kit contains multiple individual parts (e.g. O-rings, fasteners, pivot axles), the multiple parts will be identified by a single kit (A, B, C...

## Servicing Guidelines

- Use a properly calibrated torque wrench when tightening fasteners. Tighten fasteners to the specified torque value. Clean and apply specified high-quality thread-locking agent (e.g. Loctite™) or grease to the fastener threads.
- Whenever replacing a service wear item, also replace any related seals, O-rings, and circlips with new ones.
- When replacing parts that have been damaged due to a crash or impact, be sure to clean and inspect other parts for damage. Take corrective action before replacing damaged or broken parts.
- Damaged or removed bearings should not be re-used. Install new bearings as a set and use the correct bearing tools.
- Always thoroughly clean all parts and surfaces before assembly. Use a clean, dry shop towel. Do not use automotive spray chemicals or harsh abrasives to clean; damage to parts, finishes, or decals can result.
- All screws, nuts, bolts, etc. are metric unless noted otherwise.
- Always use the specified high-quality tools, liquids, and lubricants where indicated.

## Warranty

For consumer warranty policy: please refer to the GT Limited Warranty available at [www.gtbicycles.com](http://www.gtbicycles.com)

For dealer warranty guidelines and claims processes: to resolve any warranty issues customers may have, please refer to our Warranty section at [b2b.cyclingsportsgroup.com](http://b2b.cyclingsportsgroup.com).







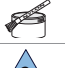





# GENERAL INFORMATION

## Service Instructions, Technical Support, and Ordering:

For service instructions, technical support and ordering service kits please visit [b2b.cyclingsportsgroup.com](http://b2b.cyclingsportsgroup.com).

## Symbols:

This TECH BOOK uses some icons, abbreviations, and symbols to simplify the information presented on each page. They are:

Symbol	Name	Description
	Safety alert symbol	Indicates that the related parts are safety related. Use only the kit Part Number indicated for replacements; do not substitute other parts.
	NGLI-2 synthetic grease	Apply NGLI-2 synthetic grease.
	Anti-Sieze Lubricant	Apply Permetex® Anti-Sieze Lubricant
	Carbon Gel	Apply carbon gel (friction paste) KF115/
	Suspension grease	Buzzy's Slick Honey™ or R.S.P. Slick Kick
	Medium-strength removable thread lock	Apply Loctite® 242 (blue) or equivalent.
	High-strength removable thread lock	Apply Loctite® 262 (red) or equivalent.
	Medium-strength plastic fastener thread lock	Apply Loctite 425 Instant Adhesive or equivalent.
	Low strength removable thread lock	Loctite® 222
N·m	Newton meter	Indicates the specified tightening torque for the fastener. Use a correctly sized and calibrated torque wrench.
		Indicates availability of detailed product service/education video.

## Abbreviations:

ACB - Angular Contact Bearing	FT - Front	MIN. - Minimum	SST - Seat Stay
ALLY - Alloy	FTTR - Front Triangle	MP - Main Pivot	ST - Seat Tube
BB - Bottom Bracket	GRDS - Guard	mm - millimeters	TA - Thru-Axle
BCD - Bolt Circle Diameter	GRN - Green	MNT - Mount	TC - Top Cap
BLK - Black	HDWE - Hardware	MTN - Mountain	w / - With
BRGS - Bearings	HGR - Hanger	N / A - Not Applicable	WHT - White
BRK - Brake	HGRM - Hollowgram	NDS - Non-Drive Side	Wmn - Womens'
CBL - Cable	HT - Head Tube	-- Not Pictured	UPR - Upper
CR - Chain Ring	I.D. - Inside Diameter	N·m - Newton Meter	
CRB - Carbon (composite)	in - Inches	O.D. - Outside Diameter	
CS - Chain Stay	INT - Internal	ORG - Orange	
CSG - Cycling Sports Group	kg - kilograms	p / n - Part Number	
DIA. - Diameter	kgf - kilogram-force	psi - pounds per square inch	
DO - Dropout	lbs - pounds	QR - Quick Release	
DS - Drive Side	LFT - Left	QTY - Quantity	
DT - Down Tube	LNK - Link	RD - Rear Derailleur	
EXT - External	LWR - Lower	RGT - Right	
FD - Front Derailleur	MAX. - Maximum	RR - Rear	

# CYCLING PROPHET

Cycling Prophet supports all authorized CSG Dealers and Distributors with training videos on service topics related to Cannondale and GT brands online via [www.cyclingprophet.com](http://www.cyclingprophet.com).

In order to take advantage of the Cycling Prophet online training platform, individuals need to create their own member account with a username and password.

You can create your own CP account by visiting [www.cyclingprophet.com](http://www.cyclingprophet.com)

- Select the GT brand tile.
- Then, select your country flag on the global page.
- Following this, select 'Create Account' on the login page.
- Search for your shop in the CP database and after that, fill-out the registration form.
- Voilà! You now have access to CSG training videos courtesy of Cycling Prophet.

The screenshot displays the Cycling Prophet website interface. At the top, there is a navigation bar with the 'CYCLING SPORTS GROUP' logo, 'GT BICYCLES' branding, and links for '1175 Points', 'SCHOOLS', 'REWARDS', and 'NEWS'. The main header features the 'cannondale' and 'GT fabric' logos. The primary banner is for 'The New Force Carbon UNLEASHED' with a 'Watch the video here' button. Below this is a 'GT Bicycle Schools' section with a grid of video thumbnails: 'OUR STORY' (150/400), 'MOUNTAIN (FULL SUSP.)' (250/300), 'MOUNTAIN (HARDTAIL)' (0/200), 'PAVEMENT' (125/125), 'LIFE+STYLE' (0/50), 'BMX' (250/400), 'TECH' (50/50), 'NUTS & BOLTS' (300/300), and 'CPTV' (50/50). A 'NEWS' section on the left lists recent updates, including 'MUC-OFF ESSENTIALS CASE WINNERS ANNOUNCED' and 'THE NEW FORCE CARBON UNLEASHED'. A 'REWARDS' section on the right shows a 'NOVICE' rewards level (1175/1875 points) and details for 'NOVICE (1,000 POINTS)', 'EXPERT (4,500 POINTS)', and 'CPTV'.

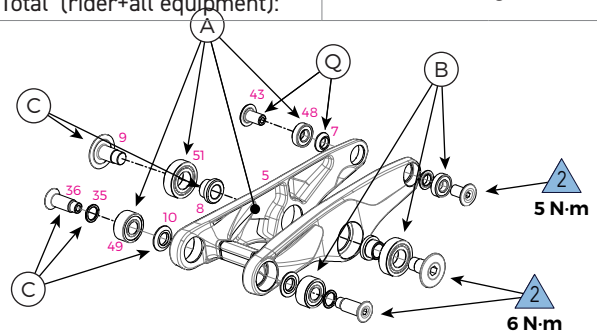
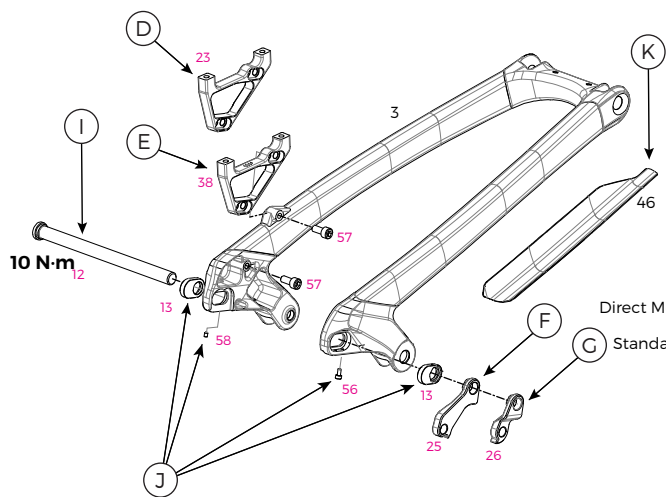
This page has been left blank intentionally.

# FURY

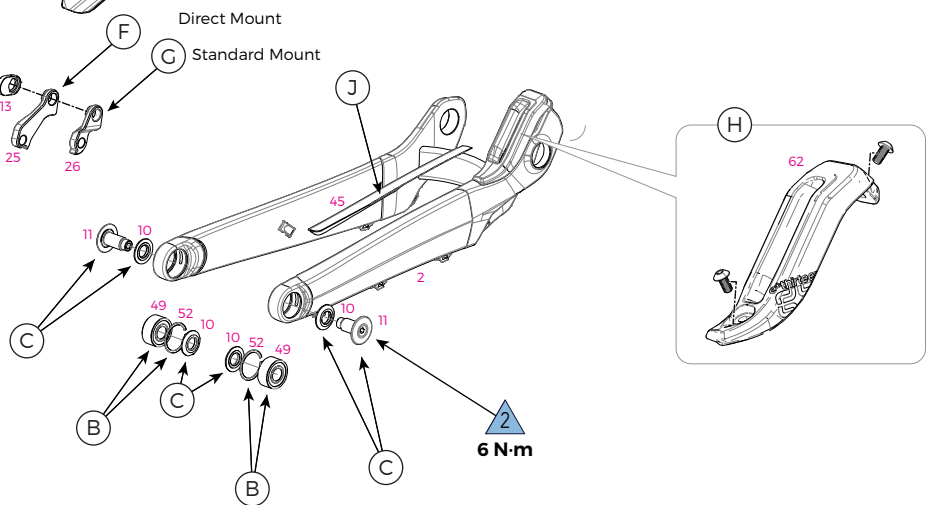
2019 - 2021

Item	Specification	
Wheel Size	27.5 in	29 in
Rear Travel	200 mm	190mm
Head Tube	1.5 in with Fury Specific Cups	
Headset	UPR: 1-1 / 8 in (41.1 mm OD), LWR: 1-1 / 8 in (41.1 mm OD)	
Bottom Bracket: Type / Width	BSA / 83 mm	
Front Derailleur	N / A	
Seat Post: Dia. / Binder	31.6 mm / 34.9 mm	
▲ Min. Seat Post Insert	100 mm	
▲ Tire Size x Max. Width (measured)	27.5 in x 2.6 in	29 in x 2.5 in
▲ Max. Fork Length	595 mm	600 mm
Rear Shock: Eye-To-Eye / Stroke / Bushing Width	225 mm / 75 mm / 22.2 mm x 8mm	

Item	Specification	
Wheel Size	27.5 in	29 in
Sag (measured at the shock)	17.1 mm recommended / 20.6 mm Max.	17.5 mm recommended / 20.8 mm Max.
Chain Guide	Chainstay Integrated Idler with ISCG 05	
Rear Brake: Mount Type / Min / Max Rotor Dia.	Post Mount / 203 mm Shimano, 200 mm SRAM	
Rear Axle: Type / Length	Fury Specific TA / 148 x 12 mm	
▲ Intended Use	ASTM CONDITION 5, Downhill	
▲ Max. Weight Limit Total (rider+all equipment):	305 lbs / 138 kg	



No.	Bearing Dimension ( mm)
48	10 ID x 22 OD x 6 H
49	12 ID x 28 OD x 12 H
50	17 ID x 30 OD x 7 H
51	17 ID x 35 OD x 10 H

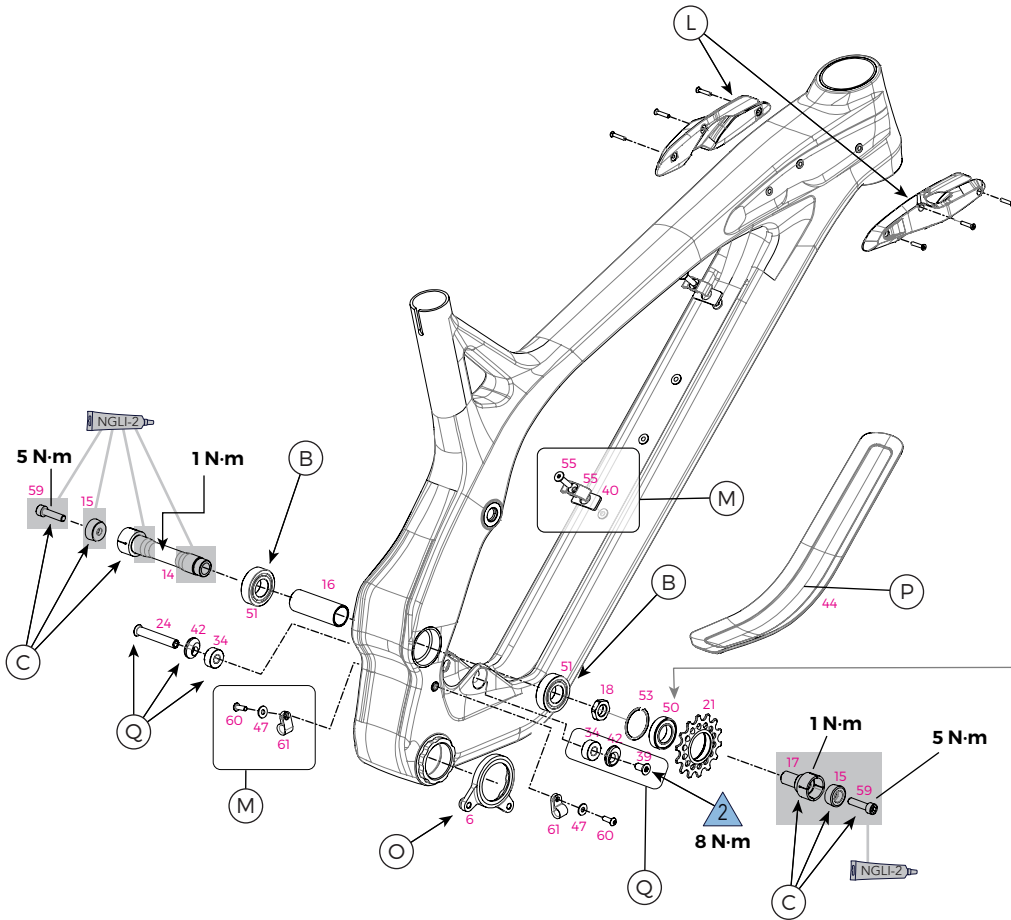


ID	Part Number	Description	27.5	29
A	K91089	Fury Suspension Link 27.5 / 29	✓	✓
B	K36189	Fury Pivot CS SS Link Bearings	✓	✓
C	K36199	Fury Pivot Hardware	✓	✓
D	K31049	ISO Shimano 203 mm Brake Mnt	✓	✓
E	K31059	SRAM 200 mm Brake Mount	✓	✓
F	K33029	Derailleur Hanger TA DM SS 071	✓	✓
G	K33039	Derailleur Hanger TA ST SS 072	✓	✓
H	K91109	Fury Idler Guide	✓	✓

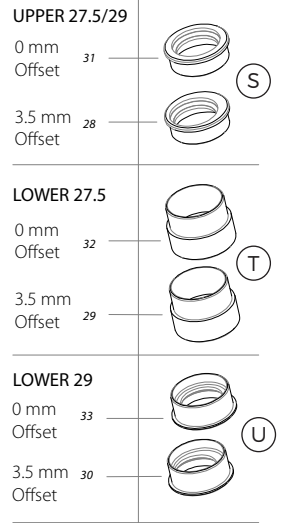
ID	Part Number	Description	27.5	29
I	K83009	Fury 148x12 Thru Axle	✓	✓
J	K34189	Fury Chainstay Protector	✓	✓
K	K34199	Fury Seatstay Protector	✓	✓
R	K91099	Dropout Thru Axle Flip Chips	✓	✓

# FURY

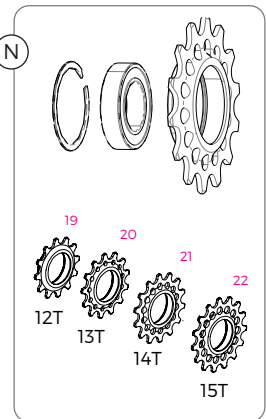
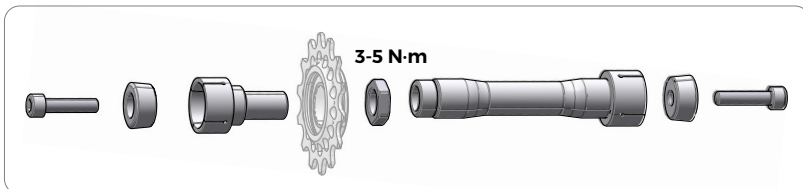
2019 - 2021



**ZERO STACK OPTIONS**



Main Pivot Assembly - Exploded View



ID	Part Number	Description	27.5	29
L	K34119	Fury Top Tube Fork Bumper Plates	✓	✓
M	K32039	Fury Cable Guides DT ST	✓	✓
N	K2202912	Idler Cog with Bearing 12T	✓	✓
	K2202913	Idler Cog with Bearing 13T	✓	✓
	K2202914	Idler Cog with Bearing 14T	✓	✓
	K2202915	Idler Cog with Bearing 15T	✓	✓
O	K22039	GT ISCG Mount 2 Bolt	✓	✓

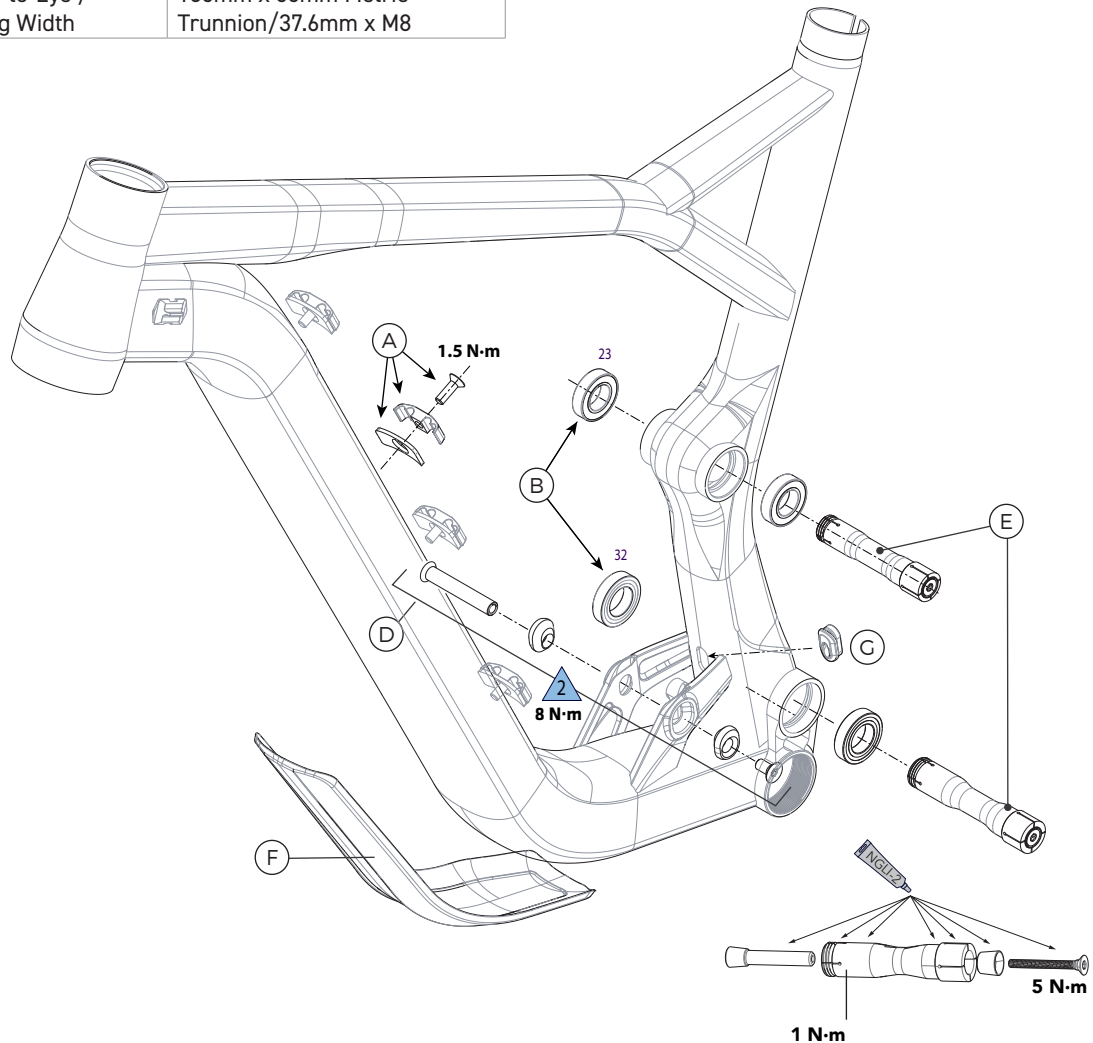
ID	Part Number	Description	27.5	29
P	K34179	Fury Downtube Protector	✓	✓
Q	K36209	Fury Shock Mount Hardware	✓	✓
S,T	K3504927	Headset Cups 0mm and 3.5mm Offsets 27.5	✓	
T,U	K3504929	Headset Cups 0mm and 3.5mm Offsets 29		✓



# FORCE 29

Item	Specification
Rear Travel	150mm
Head Tube	UPR: 1-1/8" LWR: 1-1/2"
Headset	IS42 Top IS52 Bottom
Bottom Bracket: Type/Width	BSA/73mm
Front Derailleur	N/A
Seat Post: Dia./Binder	31.6mm/34.9mm
▲ Min. Seat Post Insert	100mm
▲ Tire Size x Max. Tire Width	29"x2.4" (measured)
▲ Max. Fork Length	581mm
Rear Shock: Eye-to-Eye / Stroke / Bushing Width	185mm x 55mm Metric Trunnion/37.6mm x M8

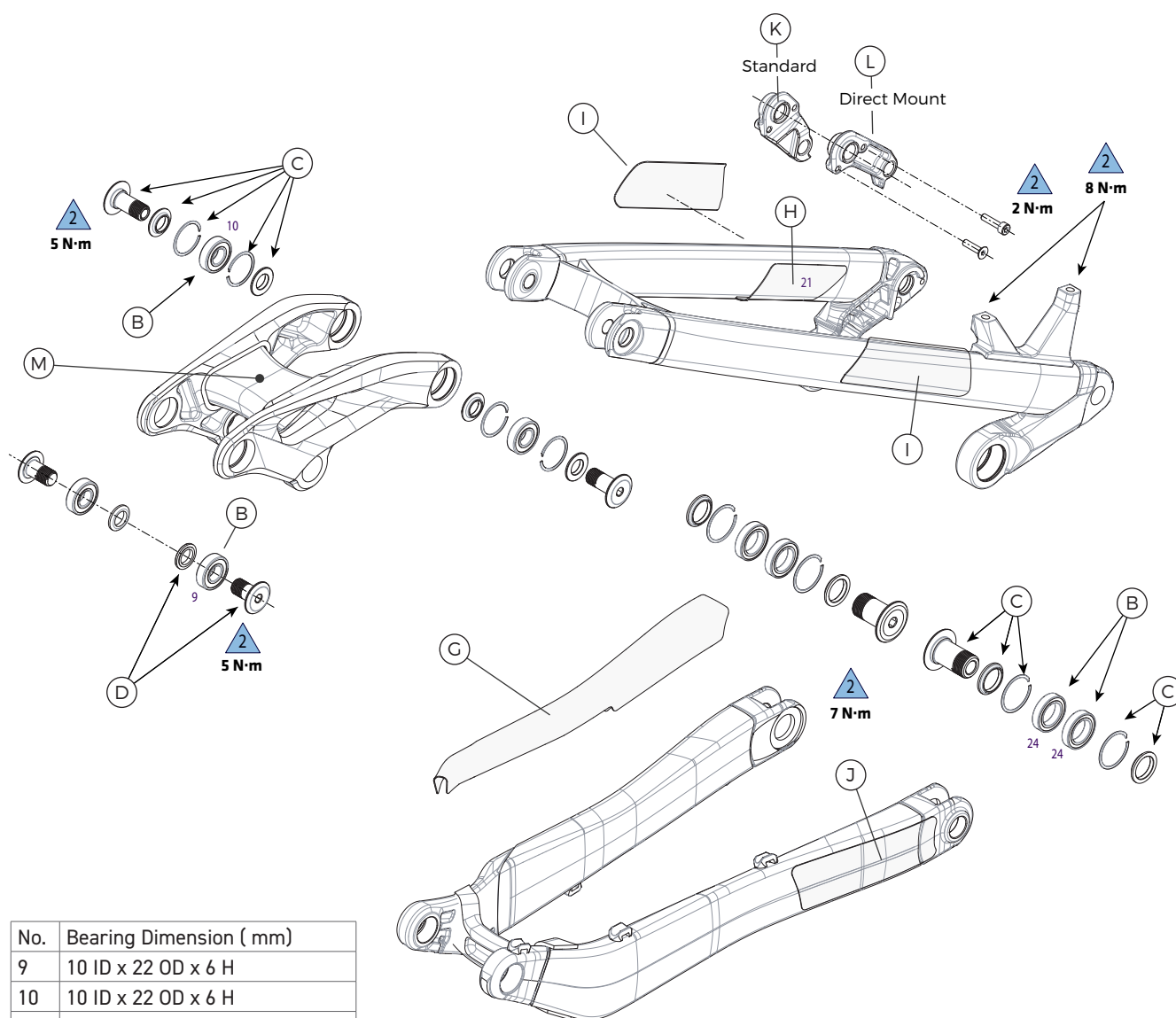
Item	Specification
Sag	12.5-14.5mm, 25%
Chain Guide	ISCG 05
Rear Brake: Mount Type / Min./Max. Rotor Dia.	Post Mount / 180mm/203mm
Rear Axle: Type/Length	Maxle TA/148x12mm, 180mm overall length
▲ Intended Use	ASTM CONDITION 4, All-Mountain
▲ Max. Weight Limit: Total (Rider+All Equipment)	305lbs/138kg



ID	Part Number	Description
A	K32008	GT Mountain Cable Guide x4
B	K36008	LTS Bearings 130/150/160
C	K36028	LTS CS SS Hardware 130/150/160
D	K36038	LTS Shock Bolts Flip Chips 130/150/160
E	K36009	Expanding Axle Hardware 79mm and 87mm
F	K34009	LTS DT Protector 130/150/160
G	K34019	LTS CS Protector 130/150/160

**FORCE 29**

2019 - 2021



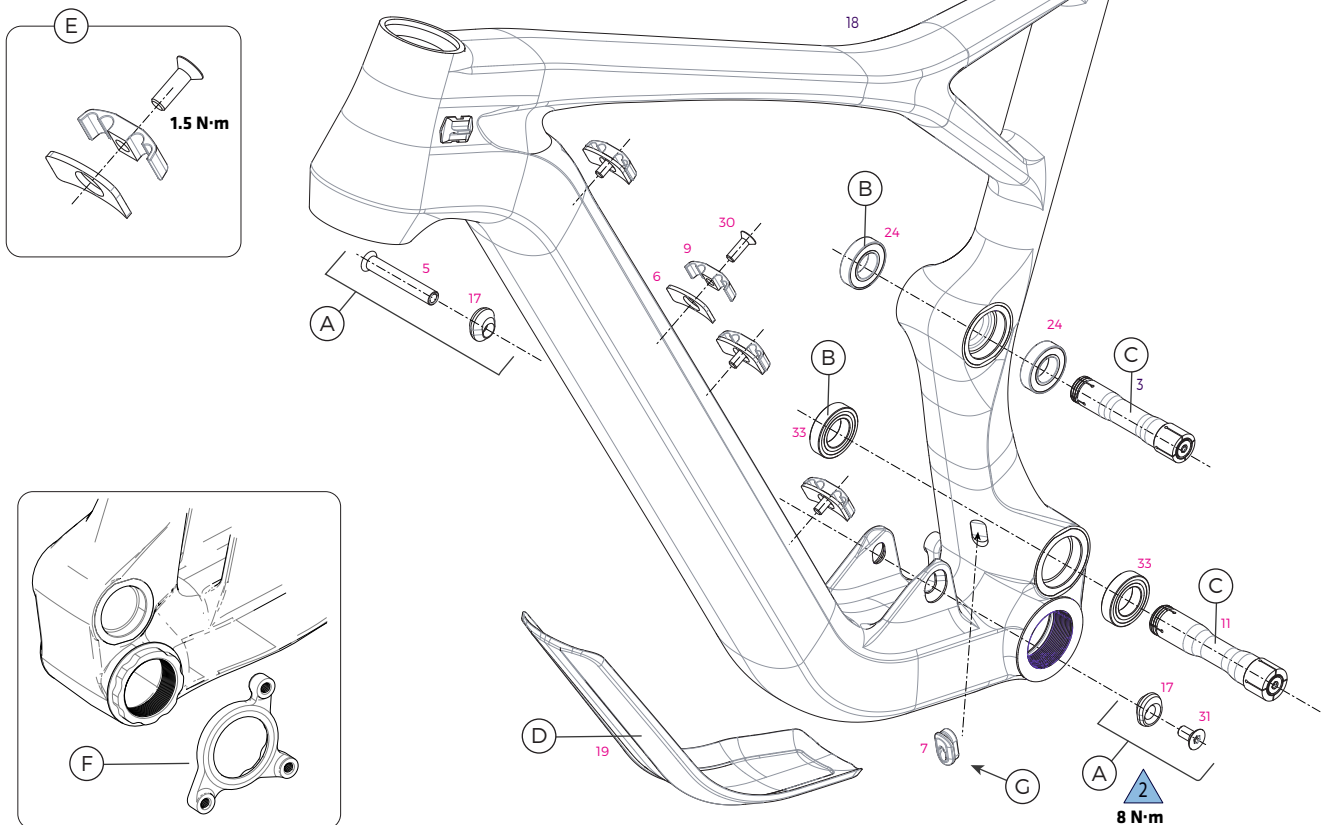
No.	Bearing Dimension ( mm )
9	10 ID x 22 OD x 6 H
10	10 ID x 22 OD x 6 H
23	15 ID x 28 OD x 7 H
24	15 ID x 24 OD x 5 H
32	17 ID x 30 OD x 7 H

ID	Part Number	Description
H	K34029	LTS SS Protector 130/150/160
I	K34039	LTS Heel Rub Protector 130/150/160
J	K34049	LTS CS Heel Rub Protector 130/150/160
K	KG0006N02	Derailleur Hanger TA ST SS 056
L	KG0007N02	Derailleur Hanger TA DM SS 057
M	K91020	Force Suspension Link 29 BLK
--	K34279	LTS Shock and ST Rub Guards 130/150/160
O	K34269	LTS Link CS Pivot Covers 130/150/160

# FORCE 27.5

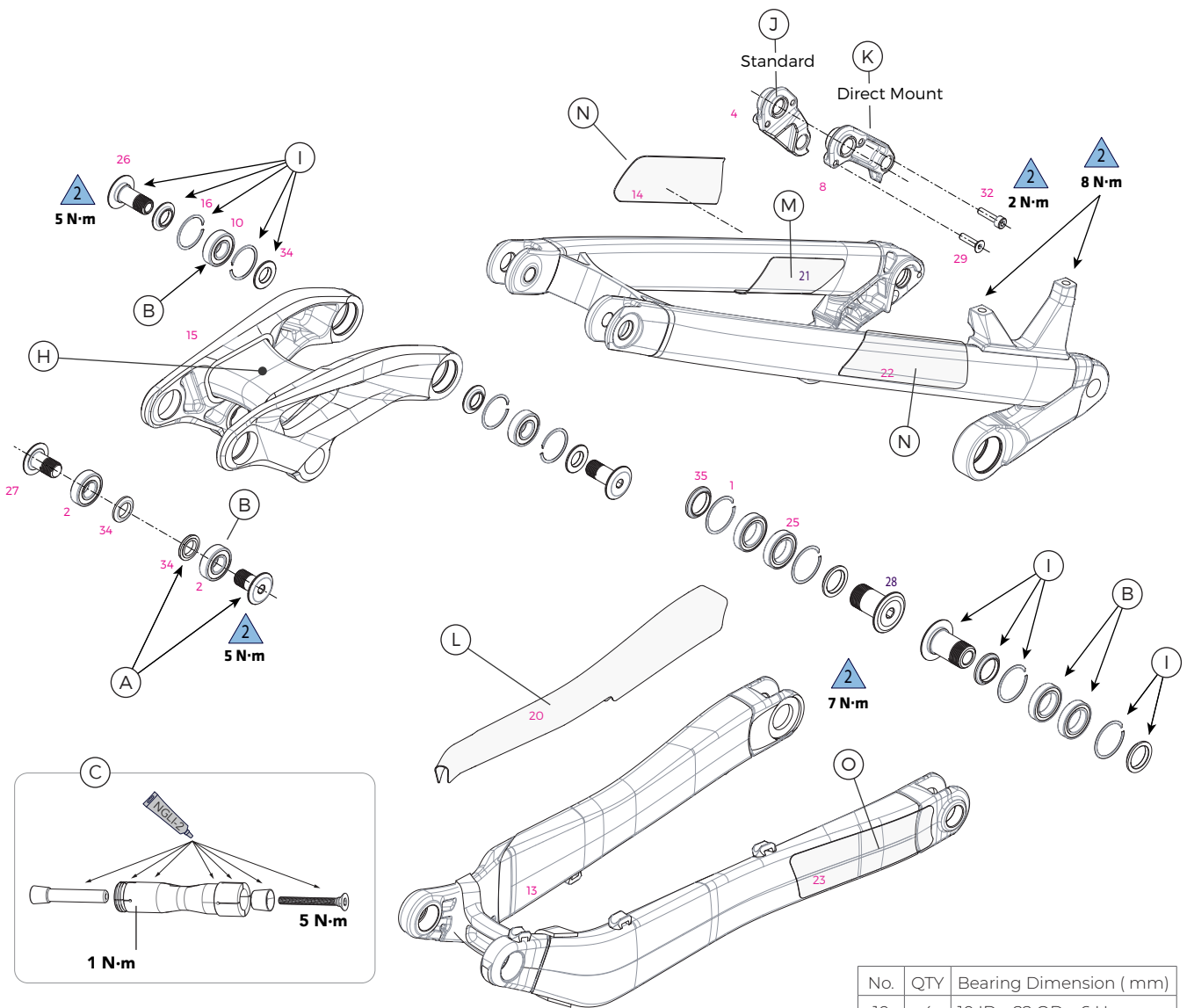
Item	Specification
Wheel Size	27.5 in
Rear Travel	150 mm
Head Tube	UPR: 1-1/8 in, LWR: 1-1/2 in
Headset	IS42 Top IS52 Bottom
Bottom Bracket: Type/ Width	BSA / 73 mm
Front Derailleur	N/A
Seat Post: Dia./Binder	31.6 mm/ 34.9 mm
▲ Min. Seat Post Insert	100 mm
▲ Tire Size x Max. Width	27.5 in x 2.5 in (measured)
▲ Max. Fork Length	550 mm
Rear Shock: Eye-To-Eye / Stroke / Bushing Width	185 mm x 55 mm Metric Trunnion / 37.6 mm x M8
Sag (measured at shock)	12.5 mm

Item	Specification
Chain Guide	ISCG 05
Rear Brake: Mount Type / Min/Max Rotor Dia.	Post Mount / 180 mm / 203 mm
Rear Axle: Type/Length	Maxle TA / 148 x 12 mm, 180 mm Length
▲ Intended Use	ASTM CONDITION 4, All-Mountain
▲ Max. Weight Limit Total (rider+all equipment):	305 lbs / 138 kg



ID	Part Number	Description
A	K36038	Force/Sensor Shock Bolts and Flip Chips
B	K36008	Force/Sensor Pivot Link CS Bearings
C	K36009	Expanding Axle Hardware 79 mm and 87 mm
D	K34009	Force/Sensor DT Protector
E	K32008	GT Mountain Cable Guide x4
F	K22059	GT ISCG Mount 3 Bolt
G	K32048	Shift and Brake Grommets

# FORCE 27.5



See **LOCKR** for instructions.

No.	QTY	Bearing Dimension (mm)
10	4	10 ID x 22 OD x 6 H
24	2	15 ID x 24 OD x 5 H
25	4	15 ID x 28 OD x 7 H
33	2	17 ID x 30 OD x 7 H

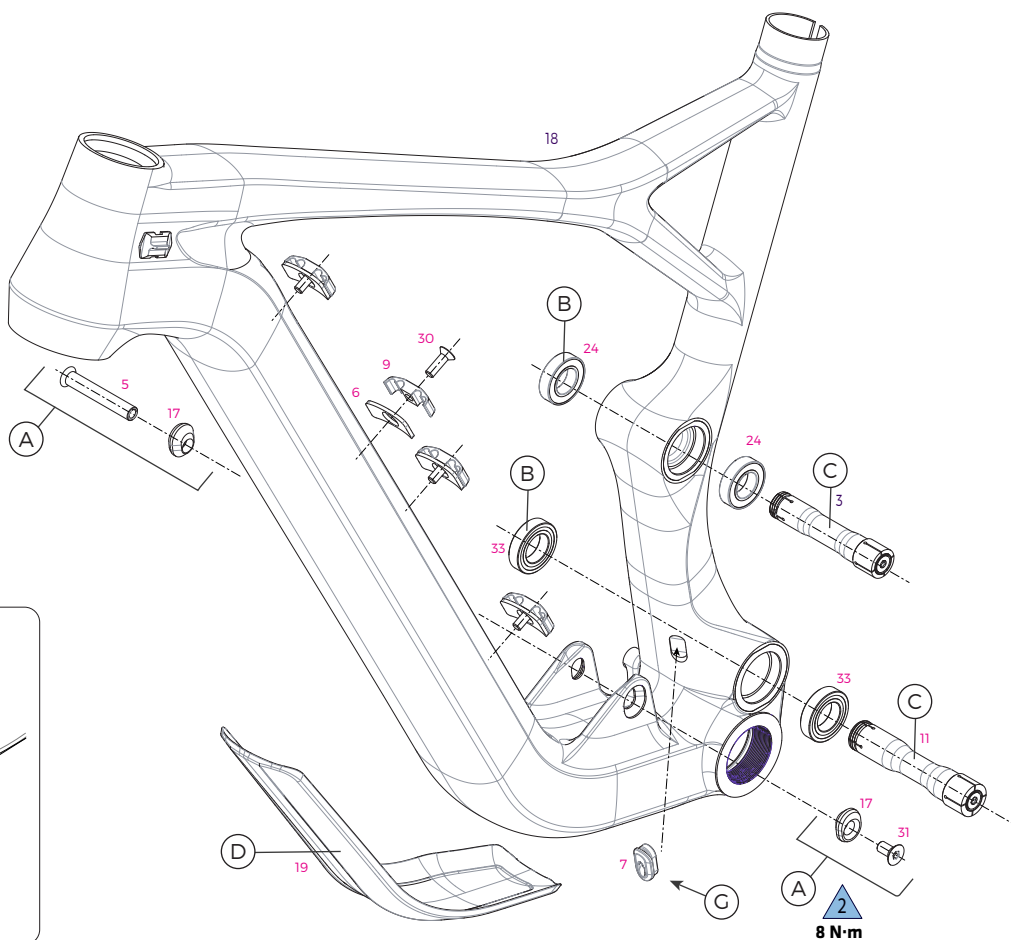
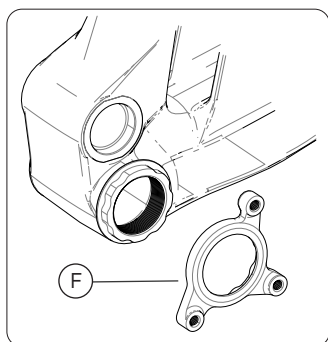
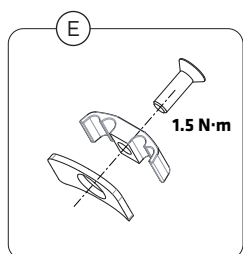
ID	Part Number	Description
H	K36069	Force Suspension Link 27.5 BLK
I	K36028	Force/Sensor Link CS Hardware
J	KG0006N02	Derailleur Hanger TA ST SS 056
K	KG0007N02	Derailleur Hanger TA DM SS 057
L	K34019	Force/Sensor CS Protector
M	K34029	Force/Sensor SS Protector
N	K34039	Force/Sensor SS Heel Rub Guard
O	K34049	Force/Sensor CS Heel Rub Guard
--	K34279	Force/Sensor Shock and ST Rub Protectors
--	K34269	Force/Sensor Link CS Pivot Covers

# SENSOR 29

2019 - 2021

Item	Specification
Wheel Size	29 in
Rear Travel	130 mm
Head Tube	UPR: 1-1/8 in, LWR: 1-1/2 in
Headset	IS42 Top IS52 Bottom
Bottom Bracket: Type/ Width	BSA / 73 mm
Front Derailleur	N/A
Seat Post: Dia./Binder	31.6 mm/ 34.9 mm
▲ Min. Seat Post Insert	100 mm
▲ Tire Size x Max. Width	29 in x 2.35 (measured)
▲ Max. Fork Length	540 mm
Rear Shock: Eye-To-Eye / Stroke / Bushing Width	185 mm x 50 mm Metric Trunnion/ 37.6 mm x M8

Item	Specification
Sag (measured at shock)	12.5 m   12 mm
Chain Guide	ISCG 05
Rear Brake: Mount Type / Min/Max Rotor Dia.	Post Mount / 180 mm / 203 mm
Rear Axle: Type/Length	Maxle TA / 148 x 12 mm, 180 mm Length
▲ Intended Use	ASTM CONDITION 4, All-Mountain
▲ Max. Weight Limit Total (rider+all equipment):	305 lbs / 138 kg

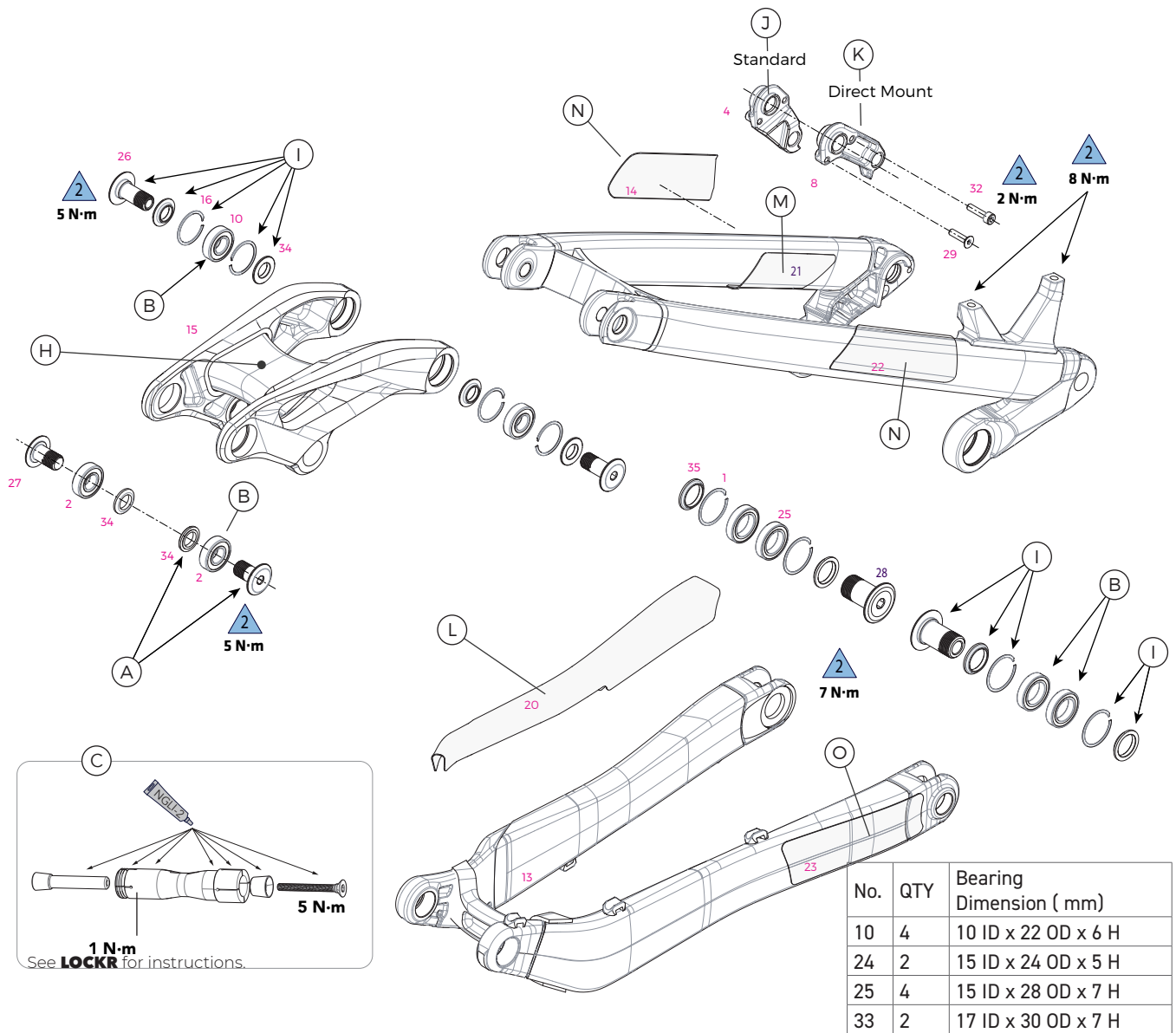


ID	Part Number	Description
A	K36038	Force/Sensor Shock Bolts and Flip Chips
B	K36008	Force/Sensor Pivot Link CS Bearings
C	K36009	Expanding Axle Hardware 79 mm and 87 mm
D	K34009	Force/Sensor DT Protector
E	K32008	GT Mountain Cable Guide x4
F	K22059	GT ISCG Mount 3 Bolt
G	K32048	Shift and Brake Grommets



# SENSOR 29

2019 - 2021

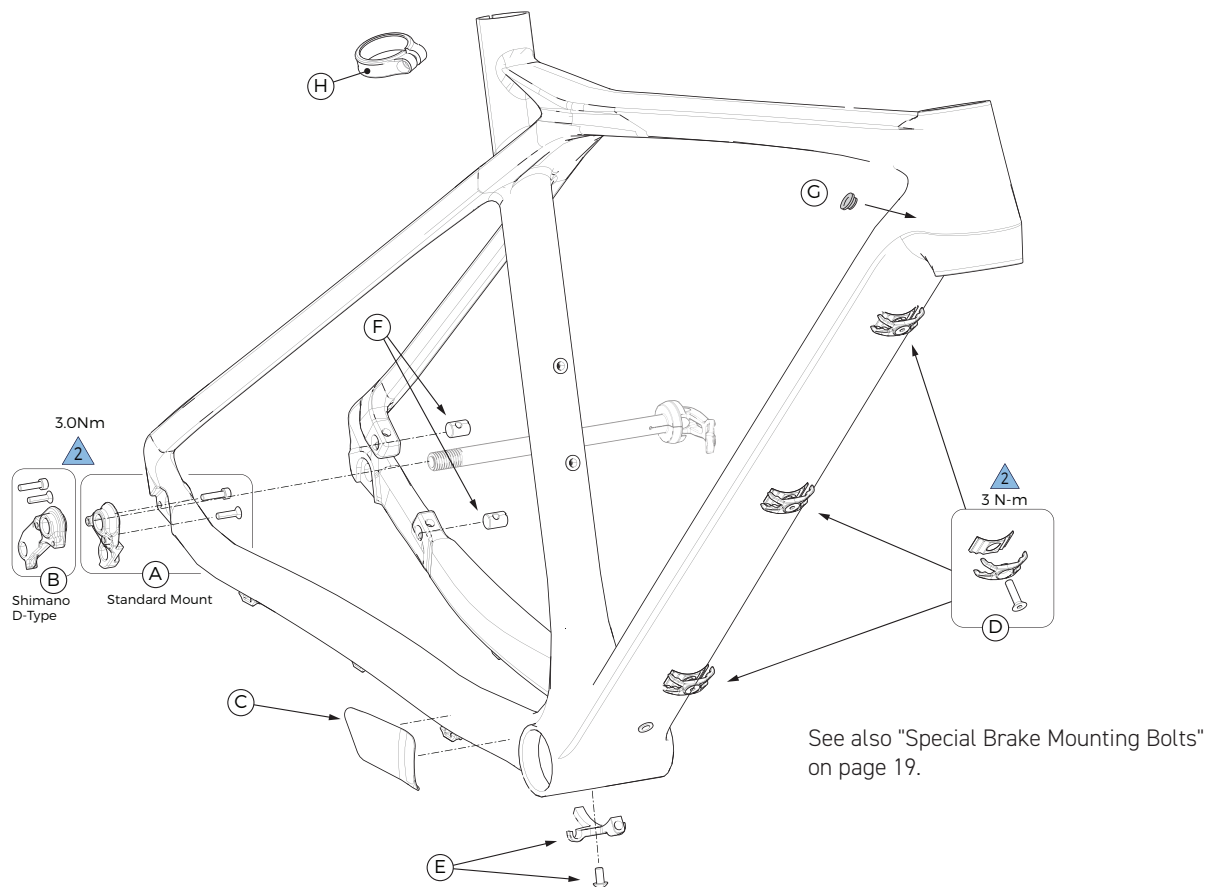


ID	Part Number	Description
H	K36059	Sensor Suspension Link 29/27.5+ BLK
I	K36028	Force/Sensor Link CS Hardware
J	KG0006N02	Derailleur Hanger TA ST SS 056
K	KG0007N02	Derailleur Hanger TA DM SS 057
L	K34019	Force/Sensor CS Protector
M	K34029	Force/Sensor SS Protector
N	K34039	Force/Sensor SS Heel Rub Guard
O	K34049	Force/Sensor CS Heel Rub Guard
--	K34279	Force/Sensor Shock and ST Rub Protectors
--	K34269	Force/Sensor Link CS Pivot Covers

**CARBON****ZASKAR****2018 - 2021**

Item	Specification
Wheel Size	29 in
Head Tube	UPR: 1-1/8 in, LWR: 1-1/2 in
Headset	IS42 Top IS52 Bottom
Bottom Bracket: Type/ Width	PF92
Front Derailleur Clamp Dia. / Type	34.9 mm /Dual Pull
Seat Post: Dia. / Binder	31.6 mm / 35 mm
▲ Min. Seat Post Insert	75 mm
▲ Tire Size x Max. Width	29 in x 2.3 in

Item	Specification
▲ Max. Fork Length	505 mm
Rear Brake: Mount Type / Min/Max Rotor Dia.	Post Mount / 160 mm / 180 mm
Rear Axle: Type / Length	MAXLE TA / 142 mm x 12 mm 180mm Overall length
▲ Intended Use	ASTM CONDITION 3, Cross-Country, Marathon
▲ Max. Weight Limit Total (rider+all equipment)	305 lbs / 138 kg



ID	Part Number	Description
A	KG0006N02	Derailleur Hanger TA ST SS 056 Standard Mount
B	KG0007N02	Derailleur Hanger TA DM SS 057 Shimano Direct Mount
C	KG0103N01	Zaskar Carbon Chainsuck Protector
D	K32007	Downtube X Cable Guides (QTY-3)
E	KG0102N01	GT Hardtail Bottom Bracket Cable Guide
F	KG0017N02	M6 Post Mount Barrel Nut (QTY 10)
G	K32048	Shift & Brake Grommets
H	KG0057N01	Seatbinder GT 35 mm

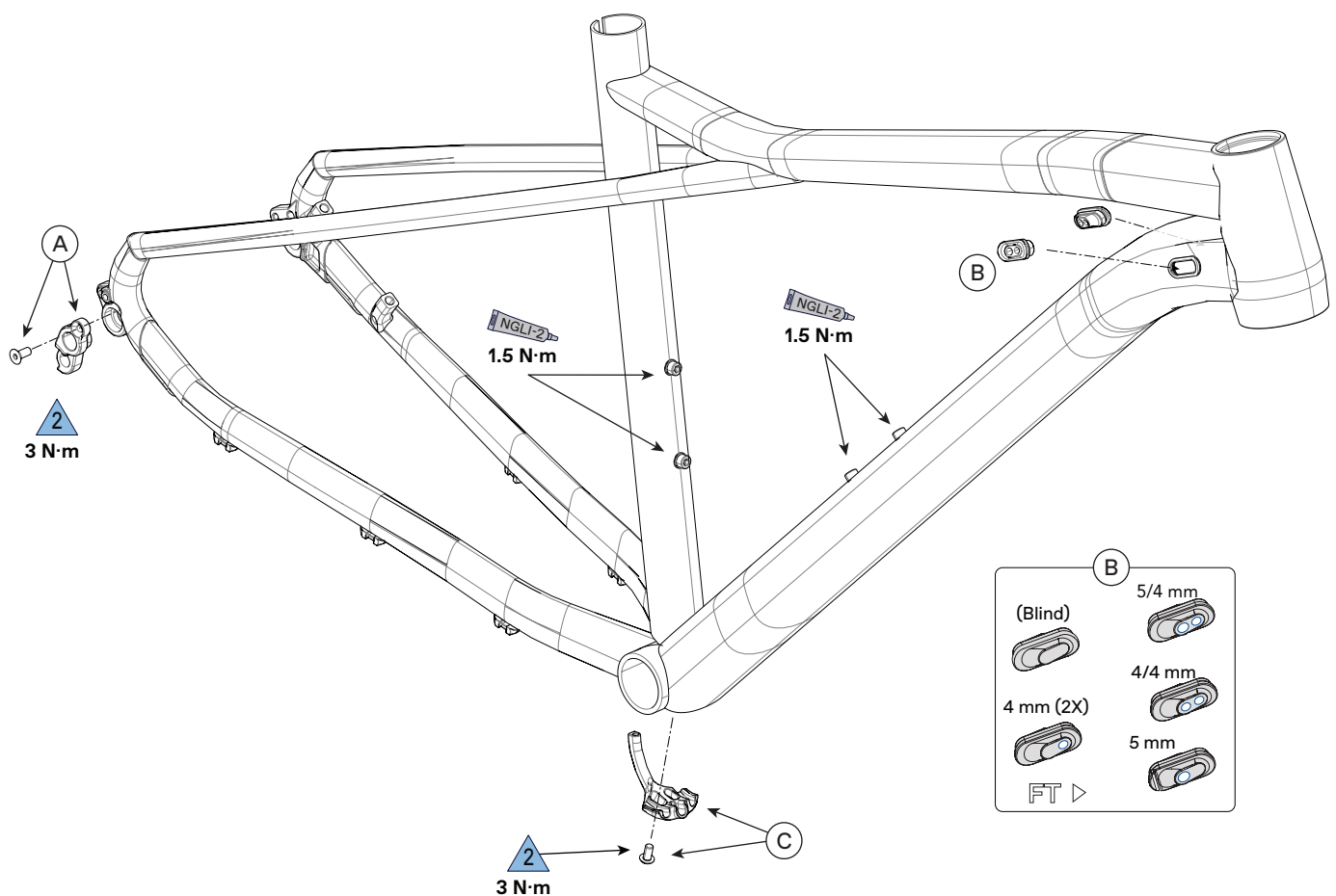
ALLOY / LT

**ZASKAR**

2020 - 2021

Item	Specification	
Zaskar Alloy	2020-2021	
	Zaskar Al	Zaskar LT
Item	Specification	
Head Tube	UPR: 1-1/8in. LWR: 1-1/2in.	
Headset	IS42 Top IS52 Bottom	
Bottom Bracket: Type/Width	BSA/73mm	
Front Derailleur	N/A	
Seat Post: Dia./Binder	30.9mm/34.9mm	
▲ Min. Seat Post Insert	100mm	
▲ Tire Size x Max. Tire Width	29in.x2.25in.	29"x2.4in.

Item	Specification	
▲ Max. Fork Length	525mm	541mm
Chain Guide	N/A	
Rear Brake: Mount Type / Min./Max. Rotor Dia.	Post mount / 160mm/180mm	
Rear Axle: Type/Length	Maxle TA/148x12mm, 180mm Overall Length	
▲ Intended Use	ASTM CONDITION 3, Cross Country, Marathon	
▲ Max. Weight Limit: Total (Rider+All Equipment)	305lbs/138kg	



ID	Part Number	Description
A	K33059	Derailleur Hanger TA ST SS 074
B	K32210	GT Shift/Brake Keyhole Grommets
C	K32220	GT BB Cable Guide E206909

# GRADE

2020-2021

Item	Specification
Head Tube	UPR: 1-1/8 in, LWR: 1-1/4 in
Headset	FSA No.44E, UPR: 1-1/8 in, LWR: 1-1/4 in
Bottom Bracket: Type / Width	PF30 (sleeved) / 68 mm
Front Derailleur	Brazed-on
Seat Post: Dia./Binder	27.2 mm / 31.8 mm
▲ Min. Seat Post Insert	65 mm
▲ Max. Seat Post Insert	See Table A. below
▲ Tire Size x Max. Width	700c x 40 mm (measured)

Item	Specification
Brakes: Mount Type / Min/Max Rotor Dia.	RR: Flat Mount / 160 mm / 180 mm Only, FR: Flat Mount / 160 mm / 180 mm Only
Axles: Type/Length	FR: Maxle TA / 100 x 12 mm RR: Syntace TA / 142 x 12 mm, M12x1, Single Lead
▲ Intended Use:	ASTM Condition 2, General Purpose Riding
▲ Max. Weight Limit: Total	285 lbs / 129 kg (rider + all equipment)

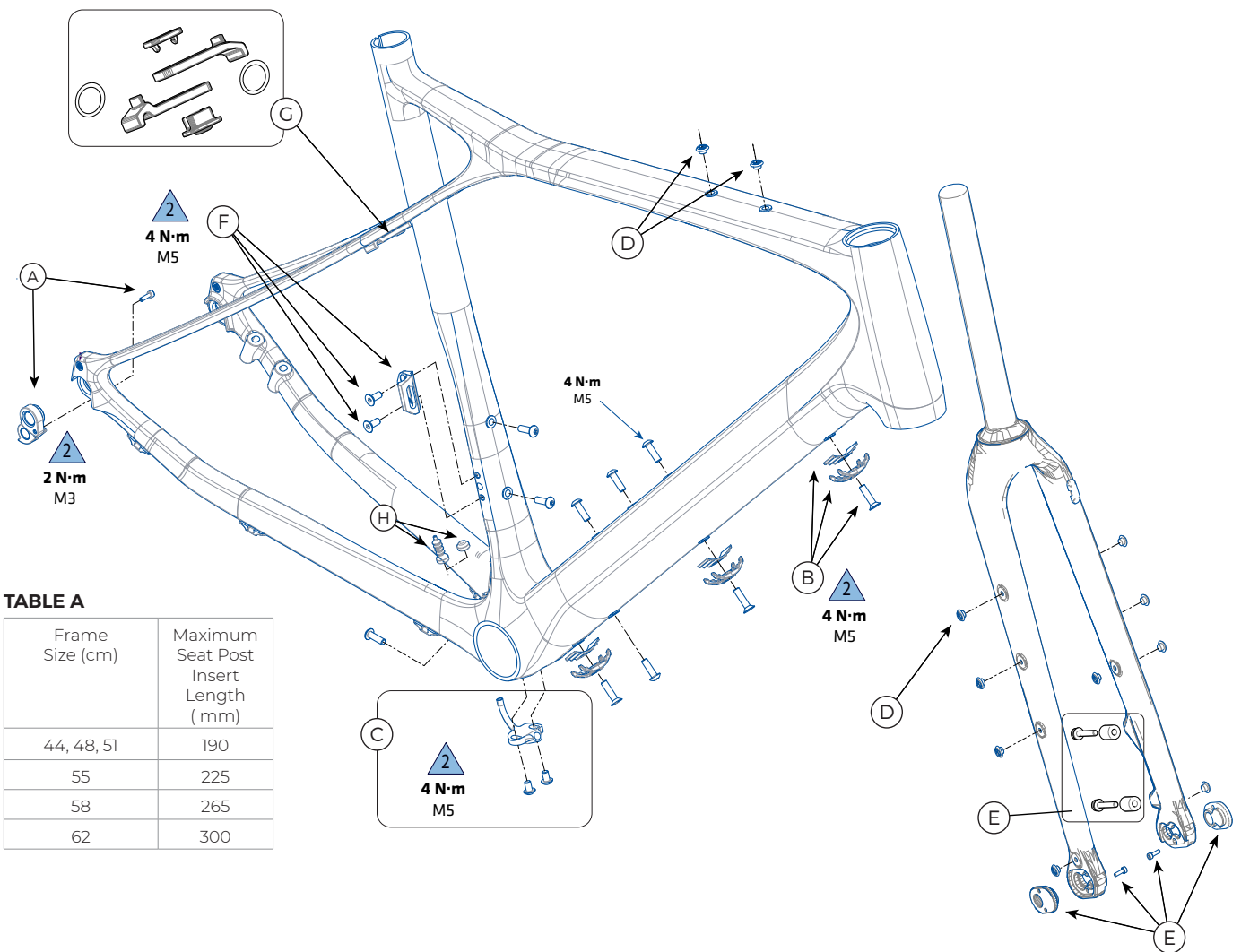


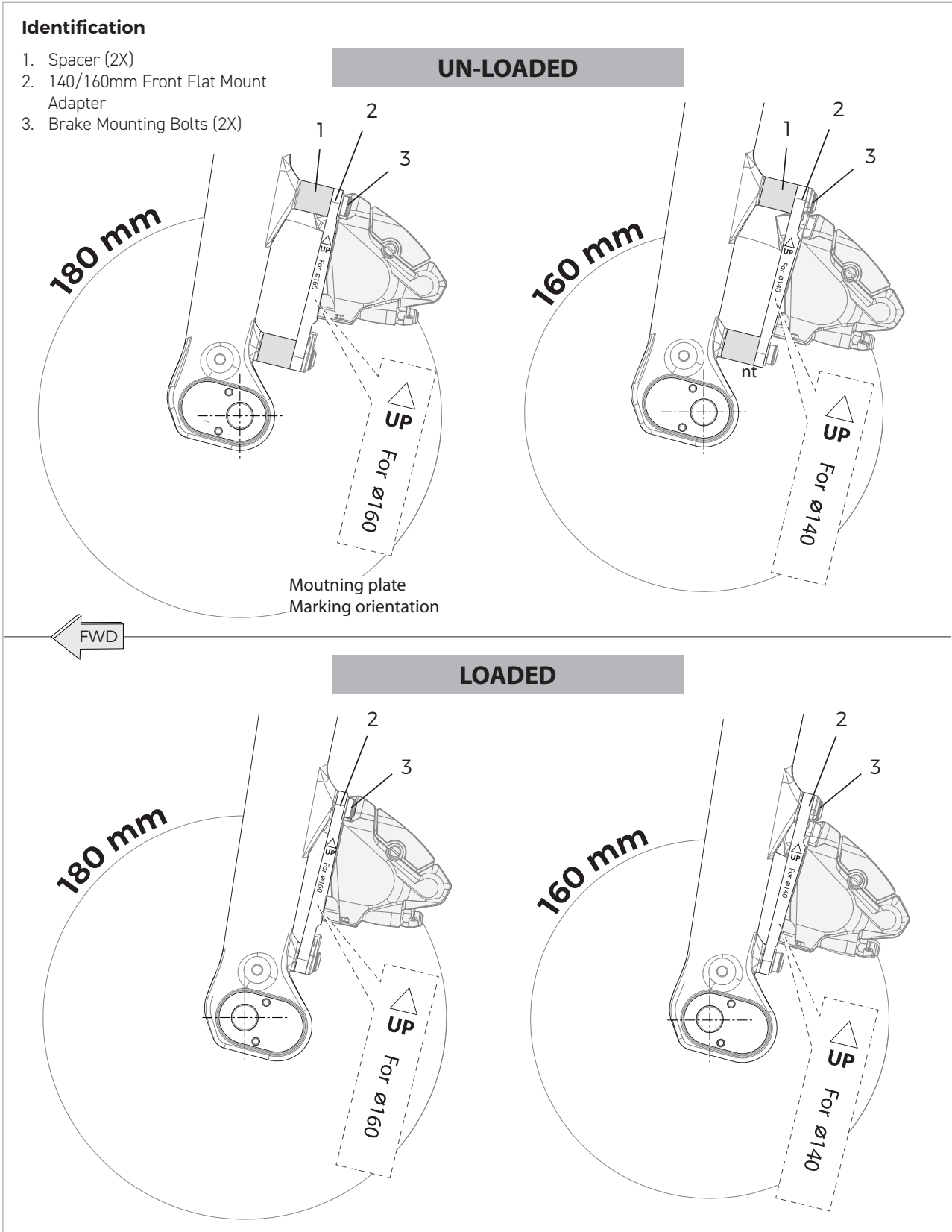
TABLE A

Frame Size (cm)	Maximum Seat Post Insert Length (mm)
44, 48, 51	190
55	225
58	265
62	300

ID	Part Number	Description
A	K33030	Derailleur Hanger TA ST SS 075
B	K32007	Downtube X Cable Guides QTY 3
C	K32200	BB Cable Guide E249071
D	K34010	Grade Frame Grommets QTY 5
E	K25009	Thru Axle Flip Chips

ID	Part Number	Description
F	K33020	Grade Crb Front Derailleur Hanger
G	K11010	Grade Crb Fender Bridge
H	K32290	Grade FD Plugs

## GRADE Flip Chip - Brake System Set-Up





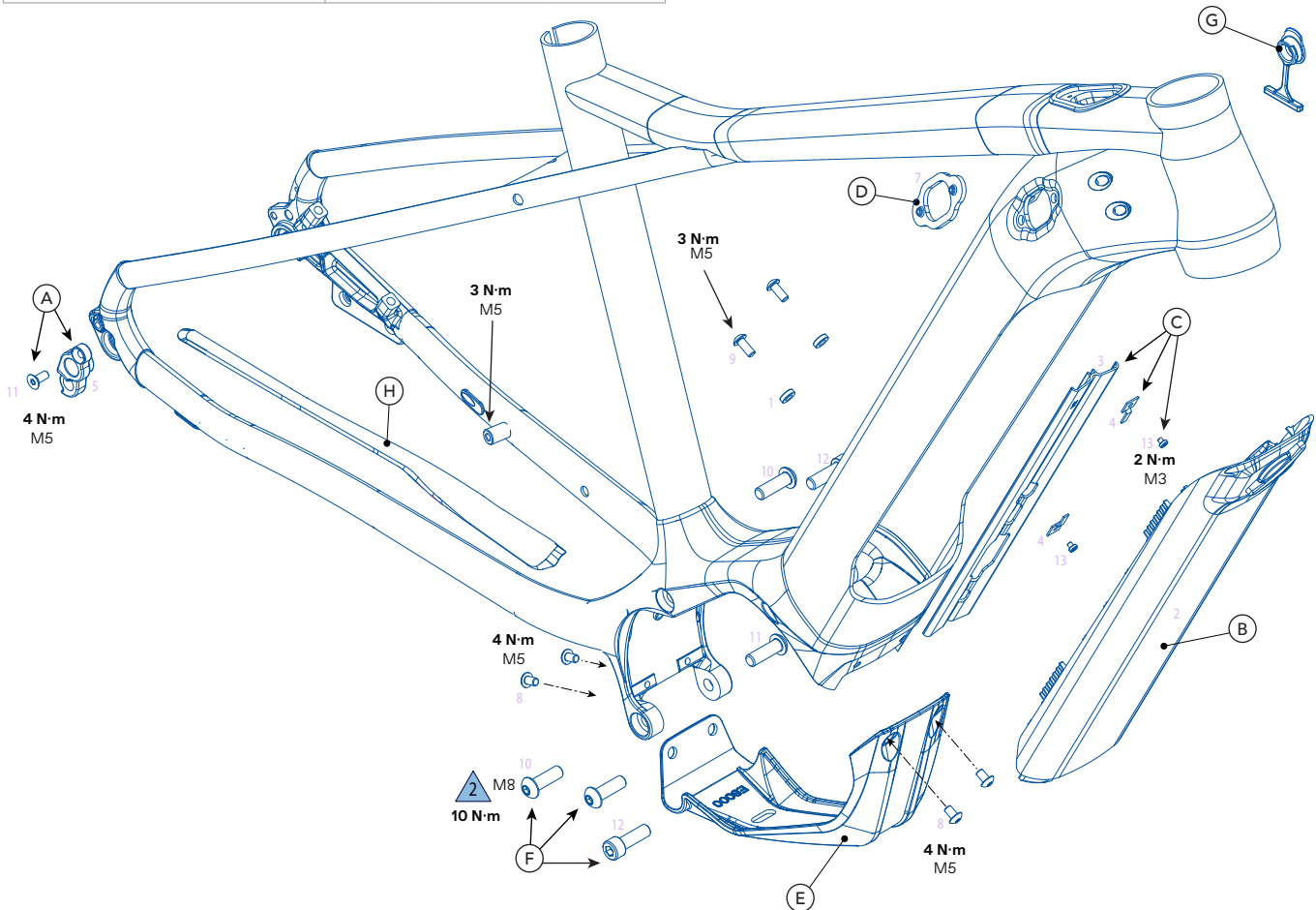
This page has been left blank intentionally.

**ePANTERA**

2020 - 2021

Item	ePantera Specification		
Model	Bolt	Current	Dash
Drive System - Shimano	DU-EP800	DU-E7000	DU-E5000
Battery - Shimano	BT-E8035		
Drive-Assist Owner's Manual	<a href="https://si.shimano.com/">https://si.shimano.com/</a>		
Head Tube	UPR: 1-1/8" LWR: 1-1/2"		
Headset	ZS44 Top ZS56 Bottom		
Bottom Bracket: Type/Width	Shimano Drive Unit		
Front Derailleur	N/A		
Seat Post: Dia./Binder	31.6 mm/34.9 mm		
▲ Min. Seat Post Insert	100 mm		

Item	ePantera Specification		
Model	Bolt	Current	Dash
▲ Tire Size x Max. Tire Width	29 x 2.35 in (measured)		
▲ Max. Fork Length	530 mm		
Rear Brake: Mount Type / Min. / Max. Rotor Dia.	Post Mount / 180 mm/203 mm		
Rear Axle: Type/Length	148 x 12mm**		
▲ Intended Use	ASTM CONDITION 3, Cross Country, Marathon		
▲ Max. Weight Limit: Total (rider+all equipment)	305lbs/138kg		



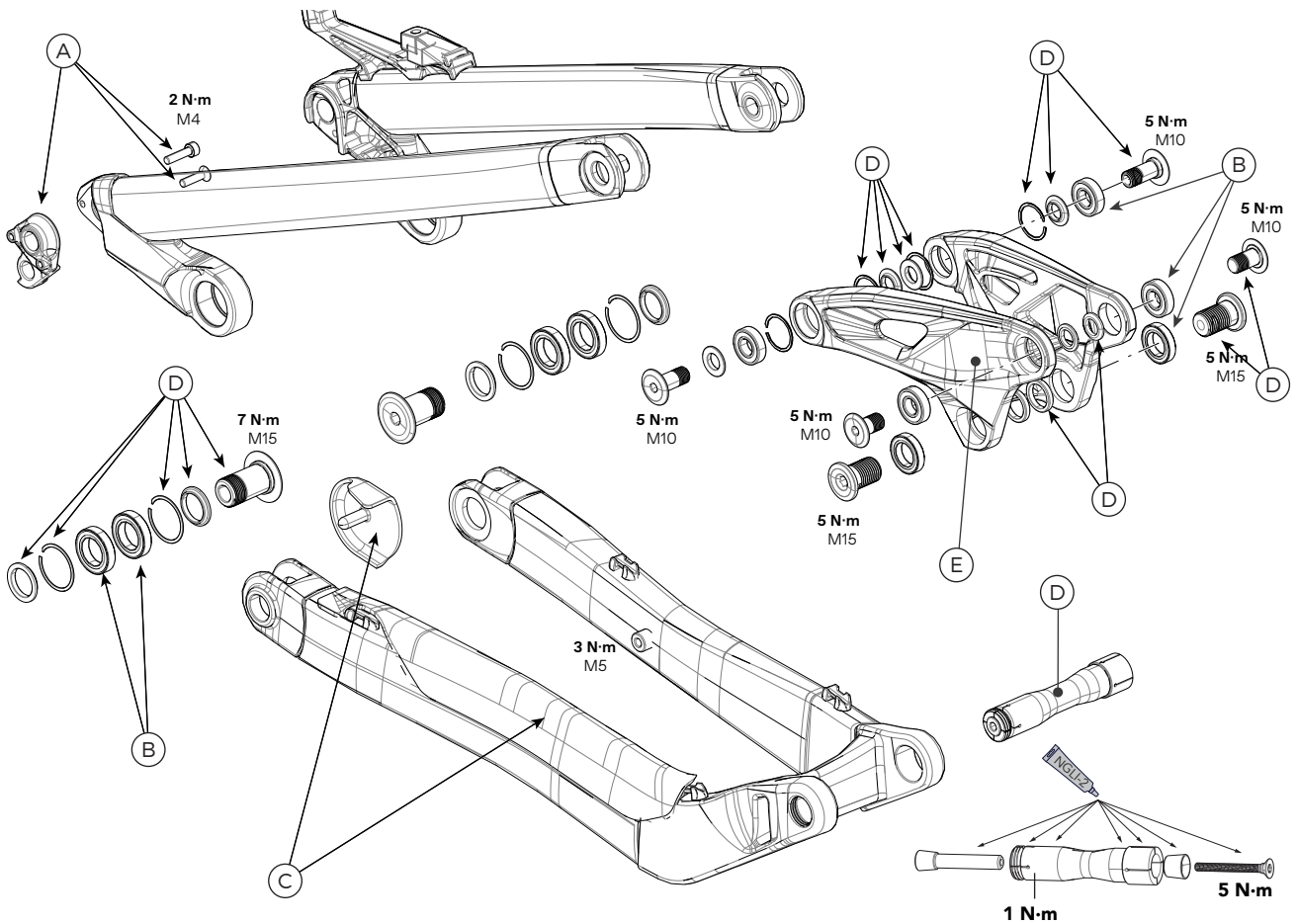
ID	Part Number	Description
A	K33059	Derailleur Hanger TA ST SS 074
B	K3418010	GT Battery Cover DT Bottom Exit BLK
C	K32310	DT Cable Channel
D	K76090	Remote Charging Port Threaded Plate
E	K34190	E8000 Skid Plate
	K34200	E7000 Skid Plate
	K34310	E5000 GT Skid Plate
F	K76100	Motor Mounting Bolts Qty 6
G	K34211	Neo Key Cover
H	K34340	E Hardtail CS SS Protectors

# eFORCE

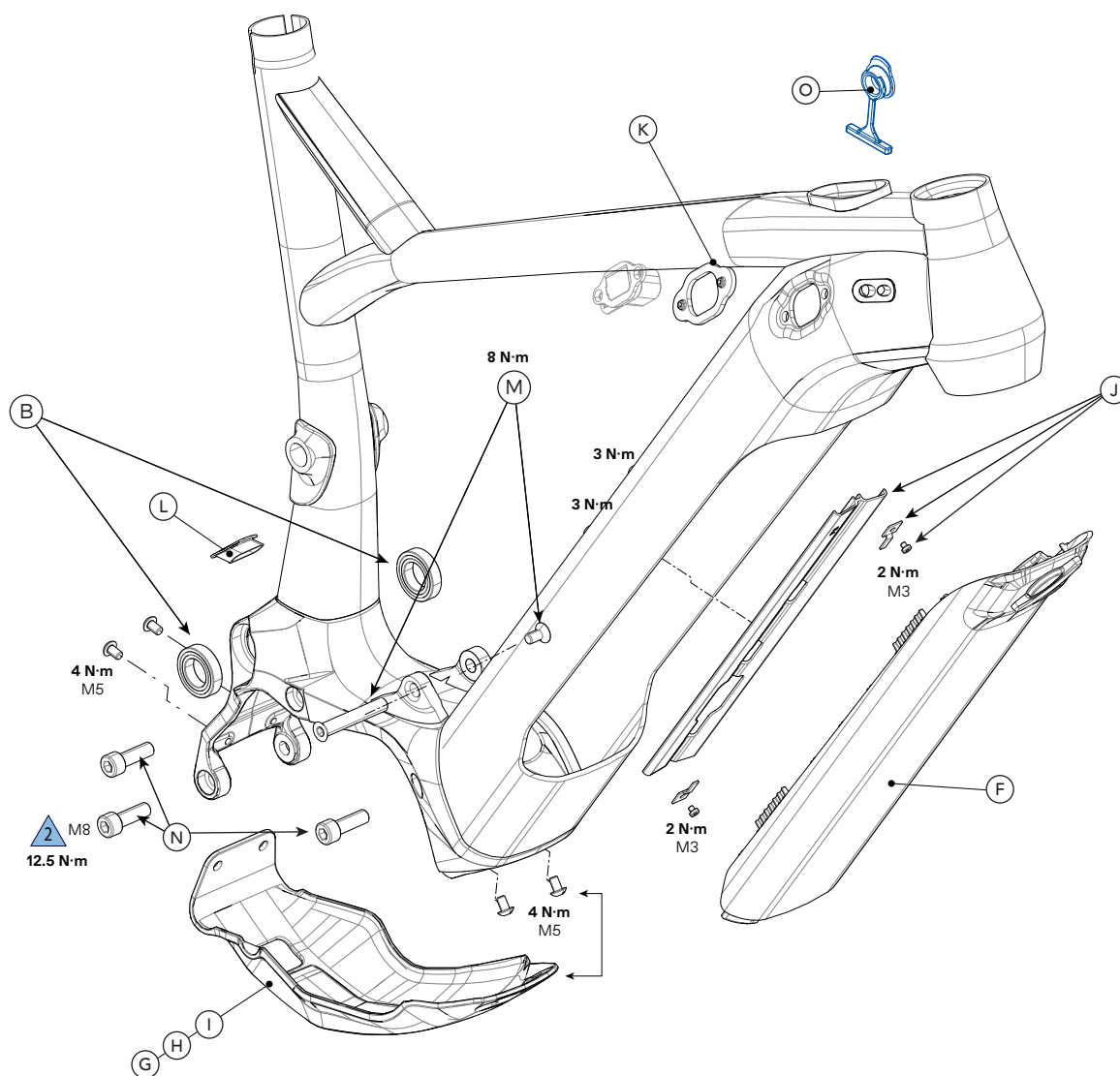
2020 - 2021

Item	Specification	
Model	Amp	Current
Drive System	Shimano DU-EP800	Shimano DU-E7000
Battery	Shimano BTE-8036, BTE-8035	
Drive-Assist Owner's Manual	<a href="https://si.shimano.com/">https://si.shimano.com/</a>	
Rear Travel	150 mm	
Head Tube	UPR: 1-1/8" LWR: 1-1/2"	
Headset	ZS44 Top ZS56 Bottom	
Bottom Bracket: Type / Width	Shimano Drive Unit	
Front Derailleur	N/A	
Seat Post: Dia. / Binder	31.6mm/34.9mm	
▲ Min. Seat Post Insert	100 mm	
▲ Tire Size x Max. Width (measured)	29 x 2.6 in (measured)	

Item	Specification	
Model	Amp	Current
▲ Max. Fork Length	557 mm	
Rear Shock: Eye-To-Eye / Stroke / Bushing Width	185mm x 55mm Metric Trunnion/37.6 x M8	
Sag (measured at the shock)	13mm-15mm, 25%	
Rear Brake: Mount Type / Min / Max Rotor Dia.	Post Mount / 180mm/203mm	
Rear Axle: Type / Length	Maxle TA/148x12mm 180mm Overall Length	
▲ Intended Use	ASTM CONDITION 4, All-Mountain	
▲ Max. Weight Limit Total (rider+all equipment):	305 lbs / 138 kg	



ID	Part Number	Description
A	KG0006N02	Derailleur Hanger TA ST SS 056
B	K36280	eForce Link CS MP Bearings
C	K34300	eForce CS Horst Link Guards
D	K36260	eForce Link CS MP Hardware
E	K91070	eForce Suspension Link 29

**eFORCE***2020 - 2021*

ID	Part Number	Description
F	K3418010	GT Battery Cover DT Bottom Exit BLK
	K34581	<b>AMP+</b> : e8036 Battery Cover DT Bottom Exit
G	K34190	E8000 GT Skid Plate
H	K34200	E7000 GT Skid Plate
I	K34310	E5000 GT Skid Plate
J	K32310	DT Cable Channel
K	K76090	Remote Charging Port Threaded Plate
L	K32029	Neo Cable Exit Port
M	K36270	eForce Shock Mount Hardware
N	K76100	Motor Mounting Bolts Qty 6
O	E366994	Neo Key Cover
	K32201	DT Adhesive Cable Clips Qty 3
	K34331	EP800 Skid Plate

# POWER PERFORMER

Item	Specification
Drive System	250W Bafang Hub Drive Motor. 45 Nm of (drive) torque
Battery	418Wh Removable Rechargeable Li Ion Battery. Samsung 29E cells
Drive-Assist Owner's Manual	<a href="https://www.bafang-e.com/">https://www.bafang-e.com/</a>
Head Tube	UPR: 1-1/8" LWR: 1-1/8"
Headset	Semi Integrated, 1-1/8"
Bottom Bracket: Type/Width	K7700145 Cadence Sensor Bottom Bracket
Front Derailleur	N/A
Seat Post: Dia./Binder	27.2 mm/ 31.8 mm
▲ Min. Seat Post Insert	100 mm

Item	Specification
▲ Tire Size x Max. Tire Width	29" x 2.5" (measured)
Brakes: Mount Type / Min./Max. Rotor Dia.	FR:Post Mount/160 mm/ 160 mm RR:Post Mount/160 mm/ 160 mm
Axles: Type/Length	FR: QR 100x9, 115 mm Overall Length RR: Bafang Hub Drive Motor 8mm Nuted, 138x12/ 10mm Slotted, 205 mm Overall Length
▲ Intended Use	ASTM CONDITION 2: General Purpose Riding
Max. Weight Limit: Total (Rider+All Equipment)	330lbs/150kg

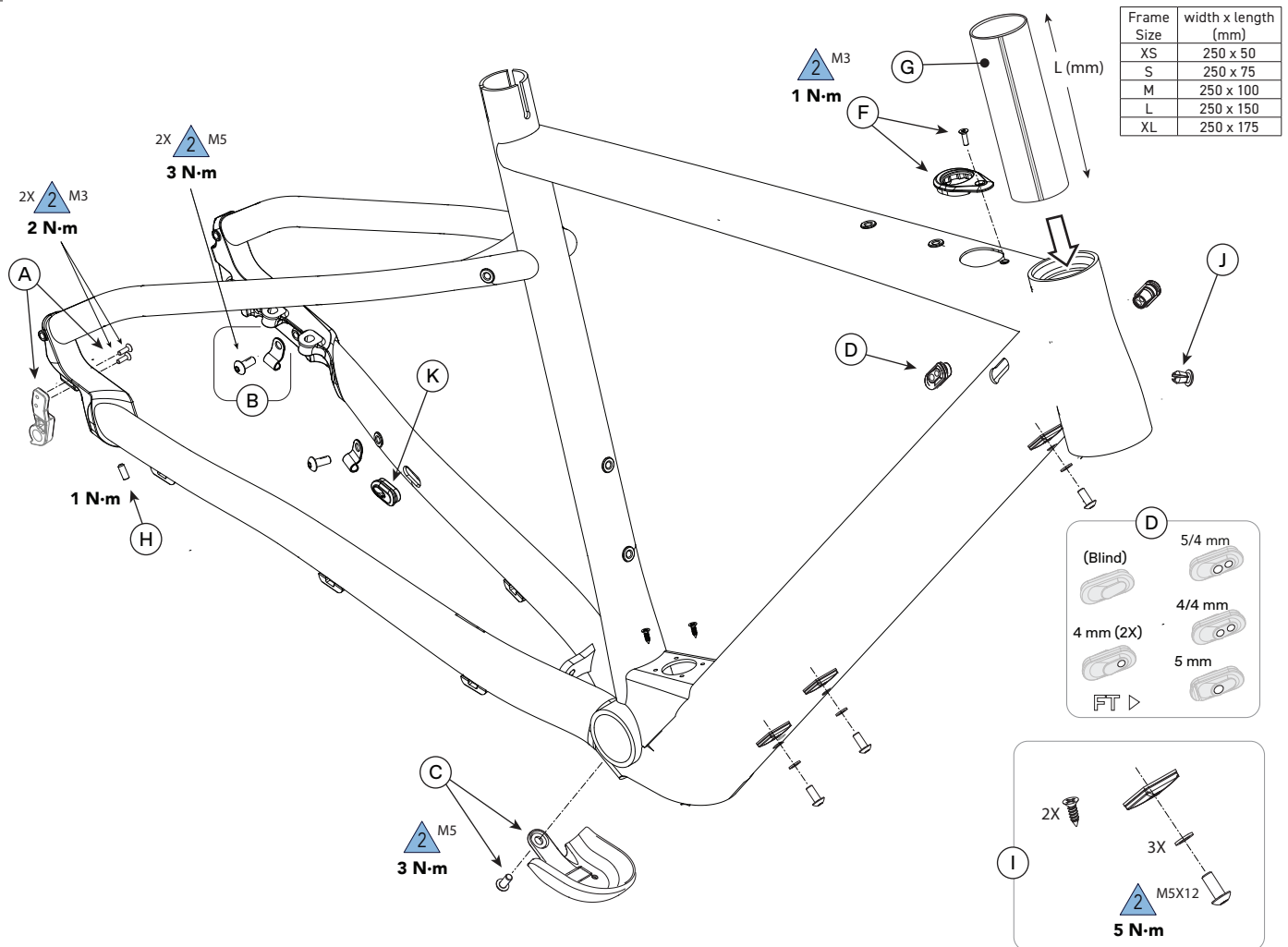
Part Number	Description
K8736129	BMX Power Disc RR Wh Hub Motor 6B 29
K8734129	BMX Street Disc FR Wh 100x3/8 6B 29
K2206170	Performer Crank 38t 4 Bolt BCD 104 170mm
K2100110	Performer Handlebar 4pc 740 x 22.2mm CMO
K2100120	Performer Handlebar 4pc 740 x 22.2mm GRY
K32000	Shift/Brake Keyhole Grommets
K34311	E-Road Chainstay Protectors
K34000	Top Tube Scuff Guard
K83031	FR Bolt-On Skewer 115mm Length
KP284/	Derailleur Hanger QR ST SS 028
K7500165	Bafang e-Wire Kit 650mm
K7201130	Bafang e-Motor Controller w/ Cable 300mm
K7300140	Bafang e-Display 22.2 w/ Cable 400mm
K71021	Power USB DT Battery 36V 418Wh
K74011	36V V2 11mm e- Charger 2A DC
K7700145	Cadence Sensor BB Threaded w/Cable 450mm
K11261	Power Performer Fender Set



# E-GRADE

Item	Specification
Drive System	E-Bike Motion X35 M1-C
Battery	E-Bike Motion X35 B1-C
Drive-Assist Owner's Manual	<a href="https://www.ebikemotion.com/web/">https://www.ebikemotion.com/web/</a>
Head Tube	UPR: 1-1/8in LWR: 1.5 in
Headset	Integrated, 1 1/8 in -1.5 in
Bottom Bracket: Type/Width	BSA/68mm
Front Derailleur	Braze On
Seat Post: Dia./Binder	27.2mm / 31.8mm
▲ Min. Seat Post Insert	65 mm
▲ Max. Seat Post Insert (mm) frame size-length	XS: 290mm S: 230mm M: 275mm L:325mm XL: 370 mm

Item	Specification
▲ Tire Size x Max. Tire Width	700c x 47mm (measured)
Brakes: Mount Type / Min./Max. Rotor Dia.	RR: Flat Mount/160mm FT: Flat Mount +20mm / 160mm/180mm
Axles: Type/Length	RR: EBM X35 Axle FR: Speed Release, Double Lead/100 x 12 mm, 119 mm Length
▲ Intended Use	ASTM CONDITION 2: General Purpose Riding
▲ Max. Weight Limit: Total (Rider+All Equipment)	305lbs/138kg

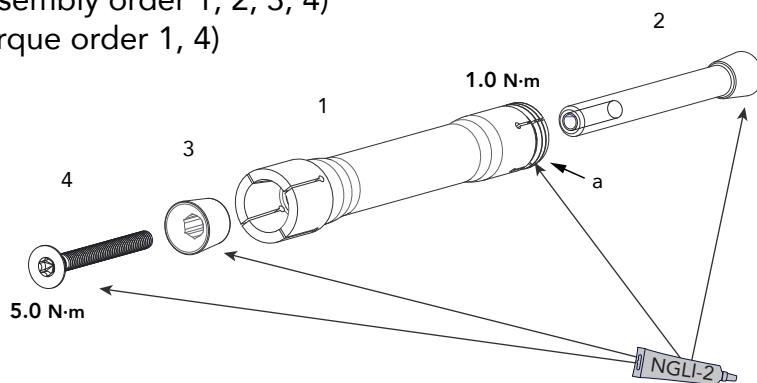


ID	Part Number	Description
A	K33050	Derailleur Hanger BT ST SS 077
B	K32240	NDS EBM Cable Clips (QTY 2)
C	K34030	Alloy Frame Battery Door
D	K32000	Shift/Brake Keyhole Grommets
G	K34020	HT Plastic Cable Sheet
H	K33080	Dropout Bolts M4x10mm (QTY 2)
I	K76040	X35 Battery/Charge Mounting Hardware

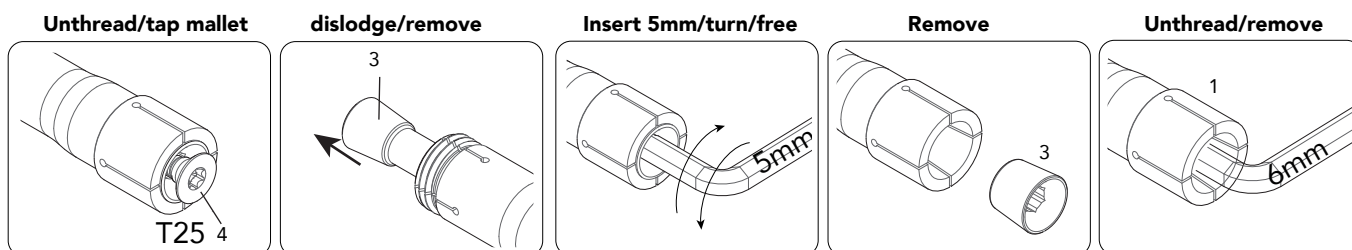
ID	Part Number	Description
J	K34090	DT Light Cable Grommet
--	K34311	Neo SL Road Chainstay Protectors
K	KP312/	Open Oval Grommet x10 (QTY 10)
--	K26121	Neo Crb Seatpost 27.2 x 350 mm
--	K26111	Neo Rigid Seatpost 27.2x350mm
--	K83019	Speed Release TA 100x12 2Lead P1.0 119L

# LOCKR PIVOT

(Assembly order 1, 2, 3, 4)  
(Torque order 1, 4)



Do not install assembled!



(removal technique)

## Installation

1. Disassemble and clean all parts of the LockR axle. Do not install it assembled.

Inspect the parts for damage (burrs, scratches, deformity, wear). Replace the entire LockR assembly if any damage is found.

2. Apply a light coating of a high-quality bicycle bearing grease to all parts.
3. Align the linkage and bearing and insert the threaded end of the pivot axle (1) into the non-drive side.
4. Tighten the inserted pivot axle to 1 N-m using a 6 mm hex key fitted torque wrench from the non-drive side.

### NOTICE

Use a calibrated torque wrench. Exceeding 1 N-m will result in permanent damage to the LockR pivot system.

5. Insert the wedge bolt (2) into the drive side of the axle and insert the small end of the wedge (3) into the non-drive side axle head.
6. Thread the screw (4) into wedge bolt with a wrench and tighten to 5.0 N-m.

## Removal

**IMPORTANT:** Be sure to support the bike or swingarm to prevent personal injury or bike damage when removing/disconnecting linkages of an axle.

1. Loosen the screw (4) 4-6 turns using a T25 Torx key.
2. Tap head of screw (4) with a rubber mallet to un-seat the wedge bolt (2).
3. Remove the screw (4) and wedge bolt (2) from the axle (1).
4. Insert a 5 mm hex key to twist the wedge (3) free and remove it (shown). If wedge sticks insert a wooden or plastic dowel into the drive side and use it to tap out the wedge (3).
5. Insert a 6 mm hex key into the axle (1) on the non-drive side and turn counter-clockwise until it can be removed.

**SPECIAL BRAKE MOUNTING BOLTS***2019 - 2021*

The following bike models require the use of special, longer length rear brake attachment bolts :

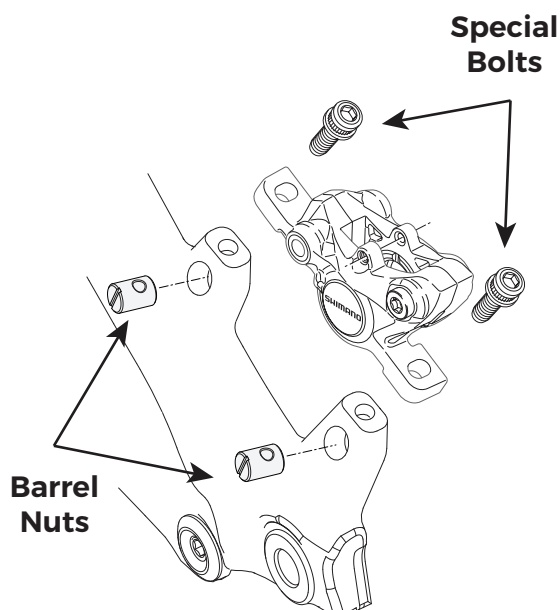
HELION CARBON (2015-2018)

FORCE CARBON (2015-2018)

SENSOR CARBON (2015-2018)

ZASKAR CARBON (2016-2021)

- Correct length bolts are required to ensure correct thread engagement of any brake caliper.
- Your bike has been assembled with the correct length bolts.
- If you change the original equipment brakes, on your bike or are building a frameset be sure to use the correct length brake bolts.
- Apply Loctite 242 (blue) to the bolt threads and tighten to the specified torque.
- Consult Cycling Sports Group Support.



Part Number	Description	SHIMANO		SRAM	
		180	160	180	160
KG0066N01	Kit Caliper Bolt Xt Aos 180	✓			
KG0064N01	Kit Caliper Bolt Xtr Aos 180	✓			
KG0067N01	Kit Caliper Bolt Xt Aos 160 Direct Mount		✓		
KG0065N01	Kit Caliper Bolt Xtr Aos 160 Direct Mount		✓		
Consult CSG Support	SRAM 21 mm Caliper Bolts			✓	✓
KG0017N02	M6 Post Mount Barrel Nut (QTY 10)	✓	✓	✓	✓

**WARNING**

Use only the special length brake caliper mounting bolts. YOU CAN BE SERIOUSLY INJURED, PARALYZED OR KILLED IF YOU IGNORE THIS WARNING.

# CORE

## Aggressor 27.5 & 29

Item	Specification
Head Tube	Semi Integrated 1 1/8in Straight ZS44 Top ZS44 Bottom
Bottom Bracket Type/Width	BSA/73 mm
Front Derailleur	31.8 mm Clamp
Seat Post Dia./Binder	27.2 mm / 31.8 mm
Max Tire Size	27.5 in: 27.5 in x 57 mm (measured)
	29 in: 29 in x 57 mm (measured)
Max. Fork Travel	467 mm
Rear Brake: Mount type/Dia	Post Mount / 160 mm
Rear Axle: Type/Length	QR / 135 mm
Max. Weight Limit	300 lbs.

Part Number	Description	Notes
ATIDH0246	Derailleur Hanger QR ST SS 054	
KG0102N01	GT Hardtail Bottom Bracket Cable Guide	
K32007	Downtube X Cable Guides x3	
K32130	Brake Hose Guide NDS CS	

# CORE

## Avalanche 27.5 & 29

Item	Specification
Head Tube	Semi-Integrated 1 1/8in - 1 1/2 in ZS44 Top ZS56 Bottom
Bottom Bracket Type/Width	BSA/73 mm
Front Derailleur	Direct Mount
Seat Post Dia./Binder	30.9 mm/34.9mm
Max. Tire Size	27.5 in: "27.5" x 58mm (measured)
	29 in: 29" x 58mm (measured)
Max. Fork Length	500 mm
Rear Brake: Mount type/Dia	Post Mount/160 mm
Rear Axle: Type/Length	QR/141mm
Max. Weight Limit	300 lbs.

Part Number	Description	Notes
K35000	1-1/8-1.5 Semi Int Hdset 28.6/44-56/39.8	
ATIDH0233	Derailleur Hanger QR ST SS 048	
K32210	GT Shift/Brake Keyhole Grommets	
K32220	GT BB Cable Guide E206909	
K83039	QR Skewer 141x9 158mm	
K82000	All Terra 141x9mm Hub 32h 6 bolt S11	

## Transeo

Item	Specification
Head Tube	Semi-Integrated 1 1/8in Straight ZS44 Top ZS44 Bottom
Bottom Bracket Type/Width	BSA/73mm
Front Derailleur	31.8mm
Seat Post Dia./Binder	27.2mm/31.8mm
Tire Size	700c x 50mm (measured)
Max. Fork Length	493mm
Rear Brake: Mount type/Min./Max. RotorDia	Post Mount / 160mm180mm
Rear Axle: Type/Length	QR/135mm
Max. Weight Limit	300 lbs.

Part Number	Description	Notes
K33177	Derailleur Hanger QR ST SS 007	
KG0102N01	GT Hardtail Bottom Bracket Cable Guide	
K32210	GT Shift/Brake Keyhole Grommets	

# BMX

## Air

Item	Specification
Head Tube	1 1/8"
Bottom Bracket Type/Width	American
Seat Post Dia./Binder	25.4 mm/28.6mm
Tire Size/Max. Tire Width	RR: 20" x 2.2"/57 mm (measured)
Rear Brake: Mount type	U-Brake
Front Axle: Type/Length	3/8"/100 mm
Rear Axle: Type/Length	14 mm/110 mm

## Heritage Dyno Pro Compe 29 (2020)

Item	Specification
Head Tube	1 1/8"
Bottom Bracket Type	MID
Seat Post Dia./Binder	25.4 mm/28.6 mm
Tire Size/Max. Tire Width	29" x 2.5"/63.5 mm (measured)
Rear Brake: Mount type/Dia	V-Brake
Front Axle: Type/Length	3/8"/100 mm
Rear Axle: Type/Length	3/8"/110 mm

## La Bomba

Item	Specification
Head Tube	Integrated 1 1/8in - 1 1/2in, FSA NO.42/ACB-A
Rear Brake: Mount type/Dia	IS/160 mm
Bottom Bracket Type/Width	Euro
Rear Axle: Type/Length	3/8"/135 mm
Seat Post Dia./Binder	27.2 mm/31.8 mm
Tire Size/Max. Tire Width	26" x 2.2"/26" x 61 mm (measured)
Max. Fork Length	478 mm

Part Number	Description	Notes
K86019	LaBomba Axle Adapters and Hardware	

# BMX

## Mach One Pro

Item	Specification
Head Tube	1 1/8"
Bottom Bracket Type	Euro
Seat Post Dia./Binder	27.2 mm/31.8 mm
Tire Size/Max. Tire Width	20" X 1.75"/50 mm (measured)
Rear Brake: Mount type	Linear Pull
Front Axle: Type/Length	3/8"/100 mm
Rear Axle: Type/Length	3/8"/110 mm

## Mach One Expert

Item	Specification
Head Tube	1 1/8"
Bottom Bracket Type	Euro
Seat Post Dia./Binder	25.4/28.6
Tire Size/Max. Tire Width	20" X 1 3/8"/35 mm (measured)
Rear Brake: Mount type	Linear Pull
Front Axle: Type/Length	3/8"/100 mm
Rear Axle: Type/Length	3/8"/110 mm

## Mach One Mini

Item	Specification
Head Tube	1"
Bottom Bracket Type	Euro
Seat Post Dia./Binder	25.4/28.6
Tire Size/Max. Tire Width	20" X 1 1/8"/35 mm (measured)
Rear Brake: Mount type	Linear Pull
Front Axle: Type/Length	3/8"/100 mm
Rear Axle: Type/Length	3/8"/110 mm

## Mach One Junior

Item	Specification
Head Tube	1"
Bottom Bracket Type	Euro
Seat Post Dia./Binder	25.4/28.6
Tire Size/Max. Tire Width	FR: 20" x 1 3/8" /35 mm (measured) RR: 20" X 1 1/8"/35 mm (measured)
Rear Brake: Mount type	Linear Pull
Front Axle: Type/Length	3/8"/100 mm
Rear Axle: Type/Length	3/8"/110 mm



# BMX

## Mach One 16

Item	Specification
Head Tube	1 1/8"
Bottom Bracket Type	American
Seat Post Dia./Binder	22.2 mm/26.8 mm
Tire Size/Max. Tire Width	16" x 1.75"/45 mm measured
Rear Brake: Mount type	Linear Pull
Front Axle: Type/Length	3/8"/100 mm
Rear Axle: Type/Length	3/8"/110 mm

## Mach One 24

Item	Specification
Head Tube	1 1/8"
Bottom Bracket Type	Euro
Seat Post Dia./Binder	27.2 mm/31.8 mm
Tire Size/Max. Tire Width	FR: 24" x 2.125"/54 mm (measured) RR: 24" x 1.75"/54 mm (measured)
Rear Brake: Mount type	Linear Pull
Front Axle: Type/Length	3/8"/100 mm
Rear Axle: Type/Length	3/8"/110 mm

## Performer

Item	Specification
Head Tube	1 1/8"
Bottom Bracket Type	MID
Seat Post Dia./Binder	25.4 mm/Integrated
Tire Size/Max. Tire Width	FR: 20" x 2.35"/61 mm (measured) RR: 20" x 2.2"/61 mm (measured)
Rear Brake: Mount type/Dia	U-Brake
Front Axle: Type/Length	3/8"/100 mm
Rear Axle: Type/Length	14 mm/110 mm

# BMX

## Pro Performer Heritage 26

Item	Specification
Head Tube	1 1/8"
Bottom Bracket Type	MID
Seat Post Dia./Binder	25.4 mm/28.6 mm
Tire Size/Max. Tire Width	26" x 2.2"/61 mm (measured)
Rear Brake: Mount type	U-Brake
Front Axle: Type/Length	3/8"/100 mm
Rear Axle: Type/Length	3/8"/110 mm

Part Number	Description	Notes
K22018	Mid Bottom Bracket With Spindle	
K22028	Mid Bottom Bracket Bearings And Hardware	
K2205870	3 Piece BMX Crankarm Left 170mm	
K2206870	3 Piece BMX Crankarm Right 170mm	

## Pro Series Heritage 24

Item	Specification
Head Tube	1 1/8"
Bottom Bracket Type	MID
Seat Post Dia./Binder	27.2mm/31.6mm
Tire Size/Max. Tire Width	24" x 2.5"/63.5 mm (measured)
Rear Brake: Mount type/Dia	V-Brake
Front Axle: Type/Length	3/8"/100mm
Rear Axle: Type/Length	3/8"/110mm

## Pro Series Heritage 26

Item	Specification
Head Tube	1 1/8"
Bottom Bracket Type	MID
Seat Post Dia./Binder	27.2mm/31.6mm
Tire Size/Max. Tire Width	26" x 2.5"/63.5 mm (measured)
Rear Brake: Mount type	V-Brake
Front Axle: Type/Length	3/8"/100mm
Rear Axle: Type/Length	3/8"/110mm

# BMX

## Pro Series Heritage 29

Item	Specification
Head Tube	1 1/8"
Bottom Bracket Type/Width	MID
Seat Post Dia./Binder	27.2mm/31.6mm
Tire Size/Max. Tire Width	29" x 2.5"/63.5 mm (measured)
Rear Brake: Mount type	V-Brake
Front Axle: Type/Length	3/8"/100mm
Rear Axle: Type/Length	3/8"/110mm

## Slammer

Item	Specification
Head Tube	1 1/8"
Bottom Bracket Type/Width	American
Seat Post Dia./Binder	25.4 mm/Integrated
Tire Size/Max. Tire Width	FR: 20" x 2.35"/61 mm (measured) RR: 20" x 2.2"/57 mm (measured)
Rear Brake: Mount type	U-Brake
Front Axle: Type/Length	3/8"/100 mm
Rear Axle: Type/Length	14 mm/110 mm

Part Number	Description	Notes
K22038	American 68mm Loose Ball Bottom Bracket	
K2204870	2 Piece BMX Crank 170mm	
K81008	One Piece Driver RH 9T	

# BMX

## Speed Series Expert

Item	Specification
Head Tube	1 1/8"
Bottom Bracket Type/Width	Euro
Seat Post Dia./Binder	22.2 mm/25.4 mm
Tire Size/Max. Tire Width	20" x 1 3/8"/35 mm (measured)
Rear Brake: Mount type/Dia	Linear Pull
Front Axle: Type/Length	20 mm/100 mm
Rear Axle: Type/Length	3/8"/110 mm

## Speed Series Expert XL

Item	Specification
Head Tube	1 1/8"
Bottom Bracket Type/Width	Euro
Seat Post Dia./Binder	27.2 mm/31.8 mm
Tire Size/Max. Tire Width	20" x 1.5"/45 mm (measured)
Rear Brake: Mount type/Dia	Linear Pull
Front Axle: Type/Length	20 mm/100 mm
Rear Axle: Type/Length	3/8"/110 mm

## Speed Series Junior

Item	Specification
Head Tube	1"
Bottom Bracket Type/Width	Euro
Seat Post Dia./Binder	22.2 mm/25.4
Tire Size/Max. Tire Width	20" x 1 1/8"/35 mm (measured)
Rear Brake: Mount type/Dia	Linear Pull
Front Axle: Type/Length	3/8"/100 mm
Rear Axle: Type/Length	3/8"/110 mm

# BMX

## Speed Series Micro, Mini

Item	Specification
Head Tube	1"
Bottom Bracket Type/Width	Euro
Seat Post Dia./Binder	22.2 mm/25.4
Tire Size/Max. Tire Width	20" x 1 1/8"/35 mm (measured)
Rear Brake: Mount type/Dia	Linear Pull
Front Axle: Type/Length	3/8"/100 mm
Rear Axle: Type/Length	3/8"/110 mm

## Speed Series Pro,Pro XL XXL XXXL

Item	Specification
Head Tube	1 1/8" - 1 1/2"
Bottom Bracket Type/Width	BB86
Seat Post Dia./Binder	27.2 mm/31.8 mm
Tire Size/Max. Tire Width	20" x 1.75"/50 mm (measured)
Rear Brake: Mount type/Dia	Post Mount/140 mm
Front Axle: Type/Length	20 mm/100 mm
Rear Axle: Type/Length	3/8"/110 mm

## Speed Series Pro,Pro XL24

Item	Specification
Head Tube	1 1/8" - 1 1/2"
Bottom Bracket Type/Width	BB86
Seat Post Dia./Binder	27.2 mm/31.8 mm
Tire Size/Max. Tire Width	24" x 1.75"/50 mm (measured)
Rear Brake: Mount type/Dia	Post Mount/140 mm
Front Axle: Type/Length	20 mm/100 mm
Rear Axle: Type/Length	3/8"/110 mm

Part Number	Description	Notes
K31009	GT BMX Disc Dropout Brake Mount	
K33058	Chain Tensioner Speed/Pro	

# BMX

## Street Performer 29

Item	Specification
Head Tube	1 1/8"
Bottom Bracket Type	MID
Seat Post Dia./Binder	25.4 mm/28.6 mm
Tire Size/Max. Tire Width	29" x 2.5"/63.5 mm (measured)
Rear Brake: Mount type/Dia	V-Brake
Front Axle: Type/Length	3/8"/100 mm
Rear Axle: Type/Length	3/8"/110 mm

Part Number	Description	Notes
K22018	Mid Bottom Bracket With Spindle	
K22028	Mid Bottom Bracket Bearings And Hardware	
K2205870	3 Piece BMX Crankarm Left 170mm	
K2206870	3 Piece BMX Crankarm Right 170mm	

## Team Editions

Item	Specification
Head Tube	1 1/8"
Bottom Bracket Type	MID
Seat Post Dia./Binder	25.4 mm/Integrated
Tire Size/Max. Tire Width	20" x 2.3"/61 mm (measured)
Rear Brake: Mount type/Dia	U-Brake
Front Axle: Type/Length	3/8"/100 mm
Rear Axle: Type/Length	14 mm/110 mm

Part Number	Description	Notes
K22018	Mid Bottom Bracket With Spindle	
K22028	Mid Bottom Bracket Bearings And Hardware	
K2205870	3 Piece BMX Crankarm Left 170mm	
K2206870	3 Piece BMX Crankarm Right 170mm	
K81008	One Piece Driver RH 9T	

# REAR DERAILLEUR HANGERS

Platform	Model Year	Model	Part Number
Aggressor/Laguna Pro 27.5"	2021-2013	Aggressor	ATIDH0246
Avalanche	2021-2012	Avalanche	ATIDH0233
ePantera	2021	ePantera	K33059
	2019-2018	ePantera Bolt	K33059
		ePantera Dash	K33027
eTraffic	2019-2018	eTraffic	K33177
eVerb	2019-2018	eVerb	KG0006N02 (Standard)
Force	2021	Force Crb 29	K33091
	2021-2019	Force Crb 27.5	KG0007N02 (Direct)
		Force Crb 27.5	KG0006N02 (Standard)
		Force Al 27.5	KG0007N02 (Direct)
		Force Al 27.5	KG0006N02 (Standard)
		Force Al 29	KG0007N02 (Direct)
		Force Al 29	KG0006N02 (Standard)
	2018-2016	Force	KG0007N02 (Direct)
Force		KG0006N02 (Standard)	
Fury	2021-2019	Fury	K33029 (Direct)
			K33039 (Standard)
	2018-2014		KG0022N02 (Direct)
			KG0021N02 (Standard)
Grade	2021-2020	Grade Crb	K33030
		Grade Al	
	2019-2015	Grade	ATIDH0183
GTR	2021-2019	GTR	K33030
Helion	2018-2015	Helion	ATIDH0233 (QR)
			KG0007N02 (Direct)
			KG0006N02 (Standard)
LaBomba	2021-2019	LaBomba	K86019
Laguna 26"	2021-2019	Laguna	ATIDH0021
Nomad	2018-2016	Nomad	K33177
Outbound	2018-2017	Outbound	ATIDH0246
Outpost	2021-2019	Outpost	ATIDH0246
Palomar	2021-2017	Palomar Alloy	ATIDH0246
	2021-2014	Palomar Steel	
Pantera	2019-2017	Pantera	K33027 (Direct)
	2019-2017		K33047 (Standard)



# REAR DERAILLEUR HANGERS

Platform	Model Year	Model	Part Number
Sanction	2019-2016	Sanction	KG0006N02 (Standard)
			KG0007N02 (Direct)
Sensor	2021-2019	Sensor Crb	KG0006N02 (Standard)
		Sensor Crb	KG0007N02 (Direct)
		Sensor Al	KG0006N02 (Standard)
		Sensor Al	KG0007N02 (Direct)
	2018-2015	Sensor	KG0006N02 (Standard)
			KG0007N02 (Direct)
ATIDH0233 (QR)			
Speed Series	2021-2019	Speed Series	K31079 (Disc Dropout Drive & Non-Drive)
	2018-2016		KG0069N01 (Rim Drive & Non-Drive)
Sportive	2018-2015	Sportive	ATIDH0183
Traffic	2021-2016	Traffic	K33177
Transeo	2021-2016	Transeo	K33177
Verb	2019-2016	Verb	ATIDH0246
Zaskar	2021-2016	Zaskar Carbon	KG0006N02 (Standard)
			KG0007N02 (Direct)
	2021-2020	Zaskar Alloy	K33059
	2021	Zaskar Alloy LT	
	2019-2017	Zaskar Alloy	K33027 (Direct)
K33047 (Standard)			

# REAR DERAILLEUR HANGERS

**ATIDH0183**



**K33027**



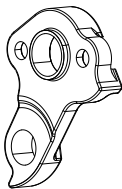
**K33047**



**K33059**



**K33091**



**K33177**



**ATIDH0021**



**ATIDH0062**



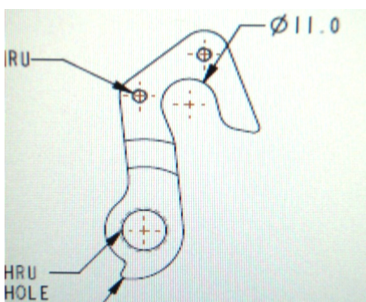
**ATIDH0063**



**ATIDH0200**



**ATIDH0233**



**ATIDH0242**



**ATIDH0246**



**FREEHUB BODIES***2021*

Model Code	Bike Model	Hub	Part Number
Model Code	Bike Model	Hub	Part Number
G11101M	700 M Grade Crb Pro	NoTubes	Contact Hub Manufacturer
G11201M	700 M Grade Crb Expert	GT	K81028
G11301M	700 M Grade Crb Elite	GT	K81028
G11401M	700 M Grade Expert	GT	K81028
G11501M	700 M Grade Elite	GT	KP459/
G21201M	27.5/29 M Fury Pro	SRAM	Contact Hub Manufacturer
G21301M	27.5 M Fury Expert	GT	K81001
G22102U	29 U Force Crb Pro LE	SRAM	Contact Hub Manufacturer
G22202U	29 U Force Crb Pro	GT	K81001
G22302U	29 U Force Crb Elite	GT	KP459/
G23101U	29 U Force Comp	Shimano	Contact Hub Manufacturer
G23151U	26 U LaBomba Pro	GT	Contact Hub Manufacturer
G23201U	29 U Force Sport	GT	KP459/
G23251U	26 U LaBomba	GT	Contact Hub Manufacturer
G23271U	26 U LaBomba Rigid	GT	Contact Hub Manufacturer
G23301M	29 M Force Pro	Shimano	Contact Hub Manufacturer
G23501M	29 M Force Expert	SRAM	Contact Hub Manufacturer
G23701M	29 M Force Elite	GT	K81001
G23800M	27.5 M Force Comp	GT	K81001
G24101M	29 M Sensor Crb Pro	NoTubes	Contact Hub Manufacturer
G24201M	29 M Sensor Crb Expert	GT	K81088
G24301M	29 M Sensor Crb Elite	GT	K81001
G24401M	29 M Sensor Comp	GT	K81001
G24501M	29 M Sensor Sport	GT	KP459/
G26151M	29 M Zaskar LT Al Expert	GT	KP459/
G26201M	29 M Zaskar Crb Expert	GT	K81088
G26251M	29 M Zaskar LT Al Elite	GT	KP459/
G26301M	29 M Zaskar Crb Elite	GT	K81001
G26401M	29 M Zaskar Crb Comp	GT	KP459/
G26501M	29 M Zaskar Al Elite	GT	KP459/
G26601M	29 M Zaskar Al Comp	GT	KP459/
G26851M	29 M Zaskar Al Comp FF	GT	KP459/
G27101M	27.5/29 M Avalanche Expert	GT	K81069
G27201M	27.5/29 M Avalanche Elite	GT	K81069
G27301M	27.5/29 M Avalanche Comp	GT	K81069
G27350M	27.5/29 M Avalanche Comp	GT	K81069
G27401M	27.5/29 M Avalanche Sport	GT	K81069
G27550M	29 M Avalanche 1X	GT	K81069

# FREEHUB BODIES

Model Code	Bike Model	Hub	Part Number
G27559M	29 M Avalanche	GT	K81069
G27751M	29 M Avalanche	GT	K81069
G27801M	29 M Avalanche 1X	GT	K81069
G27851M	29 M Avalanche Comp FF	GT	K81069
G28101M	27.5/29 M Aggressor Expert	GT	K81069
G28131M	27.5/29 M Aggressor Expert MS	GT	K81069
G28151F	26 F Laguna	GT	No freehub used
G28151M	27.5 M Palomar Al	GT	No freehub used
G28171M	27.5 M Palomar Al	GT	K81068
G28201M	27.5/29 M Aggressor Comp	GT	No freehub used
G28251F	26 F Palomar Stl	GT	No freehub used
G28251M	27.5 M Palomar Stl	GT	No freehub used
G28261M	27.5 M Aggressor Sport	GT	No freehub used
G28271M	27.5 M Aggressor Sport	GT	No freehub used
G28301M	27.5/29 M Aggressor Sport	GT	No freehub used
G28357F	27.5 F Laguna Pro	GT	K81069
G28357M	27.5 M Aggressor Pro	GT	K81069
G28358F	27.5 F Laguna Pro	GT	K81069
G28371M	27.5 M Aggressor Comp	GT	No freehub used
G28401U	27.5/29 U Outpost Expert	GT	K81069
G28501U	27.5/29 U Outpost Comp	GT	No freehub used
G28601U	27.5/29 U Outpost Sport	GT	No freehub used
G28751F	27.5 F Laguna Pro	GT	K81069
G28751M	27.5 M Aggressor Pro	GT	K81069
G28801M	29 M Aggressor Expert FF	GT	K81069
G28851M	29 M Aggressor Comp FF	GT	No freehub used
G28951M	29 M Aggressor Sport FF	GT	No freehub used
G32101M	700 M Transeo Elite	GT	K81069
G32101U	700 U Transeo Elite	GT	K81069
G32201M	700 M Transeo Comp	GT	Not Serviceable*
G32201U	700 U Transeo Comp	GT	Not Serviceable*
G32270M	700 M Transeo Comp	GT	Not Serviceable*
G32270U	700 U Transeo Comp	GT	Not Serviceable*
G32301M	700 M Transeo Sport	GT	No freehub used
G32301U	700 U Transeo Sport	GT	No freehub used
G32370M	700 M Transeo Sport	GT	No freehub used
G32370U	700 U Transeo Sport	GT	No freehub used
G32417M	700 M Talera 4.0	GT	K81069
G32851M	700 M Transeo Comp FF	GT	Not Serviceable*
G32851U	700 U Transeo Comp FF	GT	Not Serviceable*

# FREEHUB BODIES

Model Code	Bike Model	Hub	Part Number
G43901U	29 U Street Performer	GT	K81038
G44101U	20 U Slammer	GT	No freehub used
G45101U	20 U Air	GT	No freehub used
G46051U	29 U Pro Series LTD	GT	No freehub used
G46101U	29 U Pro Series Heritage	GT	No freehub used
G46151U	29 U Pro Series LTD	GT	No freehub used
G46201U	26 U Pro Series Heritage	GT	No freehub used
G46301U	24 U Pro Series Heritage	GT	No freehub used
G54101U	26 U Stomper Ace	GT	K81069
G54201U	24 U Stomper Ace	GT	K81069
G54301U	26 U Stomper Prime	GT	No freehub used
G54401U	20 U Stomper Ace	GT	No freehub used
G54501U	24 U Stomper Prime	GT	No freehub used
G54601U	20 U Stomper Prime	GT	No freehub used
G54658F	24 F Lola	GT	K81069
G54658M	24 U Stomper Ace	GT	K81069
G62101M	29 M ePantera Bolt	Shimano	Contact Hub Manufacturer
G62200M	29 M ePantera Current	Shimano	Contact Hub Manufacturer
G62300M	29 M ePantera Dash	Shimano	Contact Hub Manufacturer
G62301U	29 U ePantera Dash	GT	KP459/
G65051M	29 M eForce Amp+	GT	KP459/
G65101M	29 M eForce Amp	GT	KP459/
G65201M	29 M eForce Current	GT	KP459/

# NOTES

# NOTES



# NOTES





CYCLING SPORTS GROUP